

Bellows suction cups (round)

SFB1 40 NBR-ESD-55 G1/4-IG

Part no...:10.01.06.04799

<https://www.schmalz.com/10.01.06.04799>

Home > Vacuum Technology for Automation > Vacuum Components > Vacuum Suction Cups > Suction Cups for the Electronics Industry > Suction Cups SFF / SFB1 > SFB1 40 NBR-ESD-55 G1/4-IG

Bellows suction cup (round) for very uneven workpieces flexible workpieces



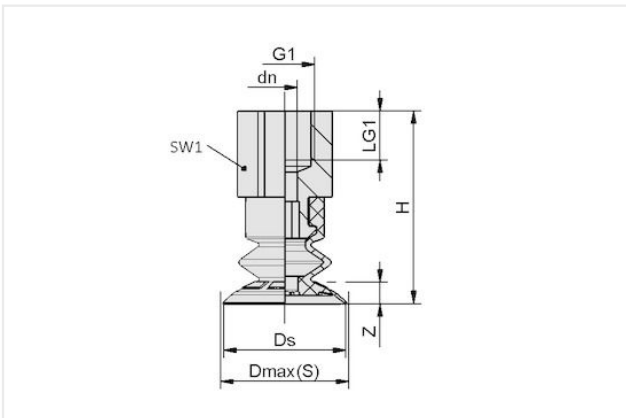
Size: 40

Suction cup material: Nitrile rubber NBR-ESD

Material hardness [Shore A]: 55 Shore A

Number of folds: 1.5

Design Data



Attribute	Value
G1	G1/4"-F
Dmax(S)	42 mm
Ds	40 mm
dn	4.10 mm
LG1	12 mm
H	46.90 mm
SW1	17 mm
Z (Stroke)	10 mm

Technical Data

Attribute	Value
Size	40
Suction cup material	Nitrile rubber NBR-ESD
Suction force (-600mbar)	8.80 N
Product family	SFB1
Volume	7.50 cm ³
Number of folds	1.50
Material hardness [Shore A]	55 Shore A

Contact Schmalz

Schmalz Sp.z.o.o. | ul. Fabianowska 131/A1, 62-052 Komorniki, Poland | +48 61 628 67 70 | schmalz@schmalz.pl

Bellows suction cups (round)

SFB1 40 NBR-ESD-55 G1/4-IG

Part no...:10.01.06.04799

<https://www.schmalz.com/10.01.06.04799>

Spare parts



SFB1 40 NBR-ESD-55 SC050

Part no...:10.01.06.04786

Size: 40

Suction cup material: Nitrile rubber NBR-ESD

Material hardness [Shore A]: 55 Shore A

Number of folds: 1.5



SC 050 G1/4-IG SW410

Part no...:10.01.06.04348

Connection geometry: 050

Vacuum connection: G1/4"-F

Fitting length: 17.2 mm

Nominal diameter dn: 4.1 mm