

Bellows suction cups (round)

SFB1 25 NBR-ESD-55 G1/8-IG

Part no...:10.01.06.04795

<https://www.schmalz.com/10.01.06.04795>

Home > Vacuum Technology for Automation > Vacuum Components > Vacuum Suction Cups > Suction Cups for the Electronics Industry > Suction Cups SFF / SFB1 > SFB1 25 NBR-ESD-55 G1/8-IG

Bellows suction cup (round) for very uneven workpieces flexible workpieces



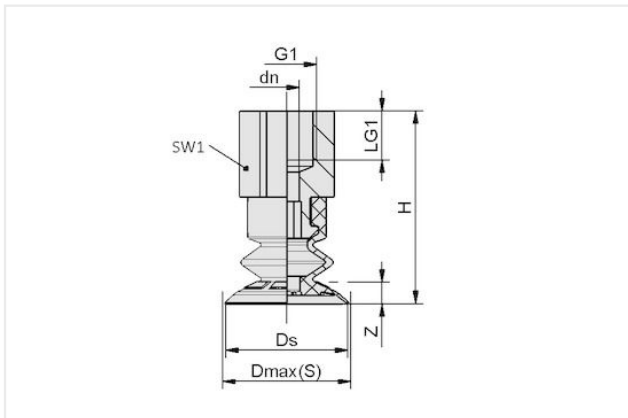
Size: 25

Suction cup material: Nitrile rubber NBR-ESD

Material hardness [Shore A]: 55 Shore A

Number of folds: 1.5

Design Data



Attribute	Value
G1	G1/8"-F
Dmax(S)	26.50 mm
Ds	25 mm
dn	4.10 mm
LG1	8 mm
H	33.20 mm
SW1	14 mm
Z (Stroke)	6.50 mm

Technical Data

Attribute	Value
Size	25
Suction cup material	Nitrile rubber NBR-ESD
Suction force (-600mbar)	3.20 N
Product family	SFB1
Volume	1.90 cm ³
Number of folds	1.50
Material hardness [Shore A]	55 Shore A

Contact Schmalz

Schmalz Sp.z.o.o. | ul. Fabianowska 131/A1, 62-052 Komorniki, Poland | +48 61 628 67 70 | schmalz@schmalz.pl

Bellows suction cups (round)

SFB1 25 NBR-ESD-55 G1/8-IG

Part no...:10.01.06.04795

<https://www.schmalz.com/10.01.06.04795>

Spare parts



SFB1 25 NBR-ESD-55 SC040

Part no...:10.01.06.04714

Size: 25

Suction cup material: Nitrile rubber NBR-ESD

Material hardness [Shore A]: 55 Shore A

Number of folds: 1.5



SC 040 G1/8-IG

Part no...:10.01.06.02482

Connection geometry: 040

Connection: G1/8"-F

Length L1: 20.7 mm

Fitting length: 14 mm

Nominal diameter dn: 4.1 mm