

Bellows suction cups (round)

FSG 14 NBR-ESD-55 M5-AG

Part no...:10.01.06.04491

<https://www.schmalz.com/10.01.06.04491>

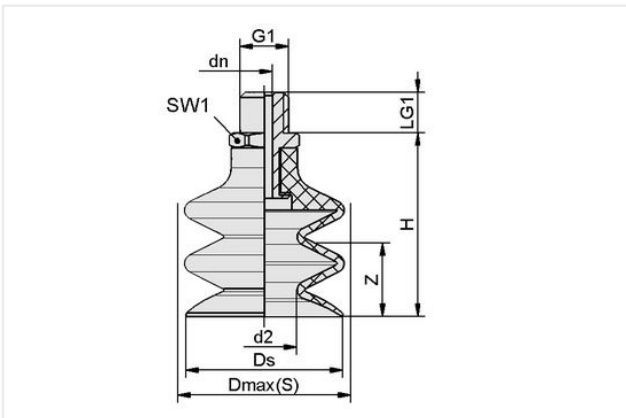
Home > Vacuum Technology for Automation > Vacuum Components > Vacuum Suction Cups > Bellows Suction Cups (Round) > Bellows Suction Cups FSG (2.5 Folds) > FSG 14 NBR-ESD-55 M5-AG

Bellows suction cup (round) for very uneven workpieces



Size: 14
Suction cup material: Nitrile rubber NBR-ESD
Material hardness [Shore A]: 55 Shore A
Nipple material: Aluminum
Connection: M5-M
Number of folds: 2.5
Vacuum connection: M5-M

Design Data



Attribute	Value
d2	5.40 mm
dn	2.50 mm
Dmax(S)	15.50 mm
Ds	14.50 mm
G1	M5-M
H	27.80 mm
LG1	5 mm
SW1	7 mm
Z (Stroke)	9 mm

Note: Acceptable dimensional tolerances for elastomer parts concerning to DIN ISO 3302-1 M3

Technical Data

Attribute	Value
Suction cup material	Nitrile rubber NBR-ESD
Material hardness [Shore A]	55 Shore A
Size	14
Number of folds	2.50
Connection	M5-AG
Curve radius (min) (convex)	15 mm
Volume	0.98 cm ³

Contact Schmalz

Schmalz Sp.z.o.o. | ul. Fabianowska 131/A1, 62-052 Komorniki, Poland | +48 61 628 67 70 | schmalz@schmalz.pl

Bellows suction cups (round)

FSG 14 NBR-ESD-55 M5-AG

Part no...:10.01.06.04491

<https://www.schmalz.com/10.01.06.04491>

Suction force (-600mbar)	1.37 N
Pull-off force	5.70 N
Hose diameter (empf.) d	2 mm
Weight	2.60 g
Product family	FSG

Note: Suction force: The specified suction forces are theoretical values at a vacuum of -0.6 bar and with a dry, smooth and flat workpiece surface - they do not include a safety factor Pull-off force: The pull-off force of the versions made of natural rubber is reduced by about 40% Hose diameter: The recommended hose diameter refers to a hose length of approx. 2 m

Spare parts



FG 14 NBR-ESD-55 N062

Part no...:10.01.06.04457

Size: 14

Suction cup material: Nitrile rubber NBR-ESD

Material hardness [Shore A]: 55 Shore A

Number of folds: 2.5



SA-NIP N062 M5-AG DN250

Part no...:10.01.06.05668

Thread G1: M5-M

Length L1: 15.9 mm

Fitting length: 5 mm

Nominal diameter dn: 2.5 mm

Material: Aluminum