

Bellows suction cups (round)

FSGA 33 NBR-ESD-55 G1/4-AG

Part no.:10.01.06.04487

<https://www.schmalz.com/10.01.06.04487>

Home > Vacuum Technology for Automation > Vacuum Components > Vacuum Suction Cups > Suction Cups for the Electronics Industry > Bellows Suction Cups FSGA (1.5 Folds) > FSGA 33 NBR-ESD-55 G1/4-AG

Bellows suction cup (round) with optimal adaptation to uneven surfaces



Size: 33

Suction cup material: Nitrile rubber NBR-ESD

Material hardness [Shore A]: 55 Shore A

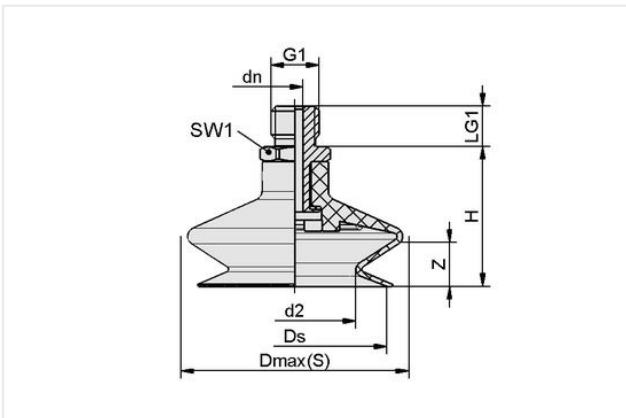
Nipple material: Aluminum

Connection: G1/4"-M

Number of folds: 1.5

Vacuum connection: G1/4"-M

Design Data



Attribute	Value
d2	17 mm
Dmax(S)	38 mm
dn	4.40 mm
Ds	30 mm
G1	G1/4"-M
H	31 mm
LG1	11 mm
SW1	17 mm
Z (Stroke)	9 mm

Note: Acceptable dimensional tolerances for elastomer parts concerning to DIN ISO 3302-1 M3

Technical Data

Attribute	Value
Suction cup material	Nitrile rubber NBR-ESD
Material hardness [Shore A]	55 Shore A
Size	33
Number of folds	1.50
Connection	G1/4-AG
Curve radius (min) (convex)	40 mm
Volume	4.75 cm ³

Contact Schmalz

Schmalz Sp.z.o.o. | ul. Fabianowska 131/A1, 62-052 Komorniki, Poland | +48 61 628 67 70 | schmalz@schmalz.pl

Bellows suction cups (round)

FSGA 33 NBR-ESD-55 G1/4-AG

Part no...:10.01.06.04487

<https://www.schmalz.com/10.01.06.04487>

Suction force (-600mbar)	13.60 N
Pull-off force	39.60 N
Hose diameter (empf.) d	6 mm
Weight	16 g
Product family	FSGA

Note: Suction force: The specified suction forces are theoretical values at a vacuum of -0.6 bar and with a dry, smooth and flat workpiece surface - they do not include a safety factor Pull-off force: The pull-off force of the versions made of natural rubber is reduced by about 40% Hose diameter: The recommended hose diameter refers to a hose length of approx. 2 m

Spare parts



SA-NIP N018 G1/4-AG DN440

Part no...:10.01.06.01065

Nipple family: N 018

Thread G1: G1/4"-M

Length L1: 28.8 mm

Fitting length: 4 mm

Nominal diameter dn: 4.4 mm

Spanner size SW2: 5 mm

Material: Aluminum



FGA 33 NBR-ESD-55 N018

Part no...:10.01.06.04456

Size: 33

Suction cup material: Nitrile rubber NBR-ESD

Material hardness [Shore A]: 55 Shore A

Number of folds: 1.5