

Bellows suction cups (round)

FSGA 16 NBR-ESD-55 G1/8-IG

Part no...:10.01.06.04481

<https://www.schmalz.com/10.01.06.04481>

Home > Vacuum Technology for Automation > Vacuum Components > Vacuum Suction Cups > Suction Cups for the Electronics Industry > Bellows Suction Cups FSGA (1.5 Folds) > FSGA 16 NBR-ESD-55 G1/8-IG

Bellows suction cup (round) with optimal adaptation to uneven surfaces



Size: 16

Suction cup material: Nitrile rubber NBR-ESD

Material hardness [Shore A]: 55 Shore A

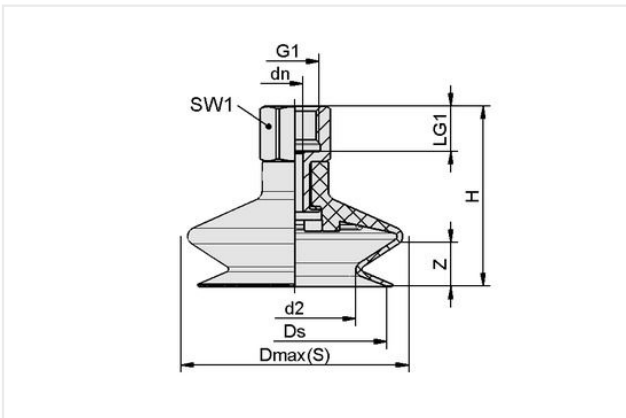
Nipple material: Aluminum

Connection: G1/8"-F

Number of folds: 1.5

Vacuum connection: G1/8"-F

Design Data



Attribute	Value
d2	8.40 mm
Dmax(S)	18.50 mm
dn	3.50 mm
Ds	15.60 mm
G1	G1/8"-F
H	31.20 mm
LG1	8 mm
SW1	14 mm
Z (Stroke)	7 mm

Note: Acceptable dimensional tolerances for elastomer parts concerning to DIN ISO 3302-1 M3

Technical Data

Attribute	Value
Suction cup material	Nitrile rubber NBR-ESD
Material hardness [Shore A]	55 Shore A
Size	16
Number of folds	1.50
Connection	G1/8-IG
Curve radius (min) (convex)	20 mm
Volume	0.75 cm ³

Contact Schmalz

Schmalz Sp.z.o.o. | ul. Fabianowska 131/A1, 62-052 Komorniki, Poland | +48 61 628 67 70 | schmalz@schmalz.pl

Bellows suction cups (round)

FSGA 16 NBR-ESD-55 G1/8-IG

Part no...:10.01.06.04481

<https://www.schmalz.com/10.01.06.04481>

Suction force (-600mbar)	2.30 N
Pull-off force	6.70 N
Hose diameter (empf.) d	4 mm
Weight	5.40 g
Product family	FSGA

Note: Suction force: The specified suction forces are theoretical values at a vacuum of -0.6 bar and with a dry, smooth and flat workpiece surface - they do not include a safety factor Pull-off force: The pull-off force of the versions made of natural rubber is reduced by about 40% Hose diameter: The recommended hose diameter refers to a hose length of approx. 2 m

Spare parts



FGA 16 NBR-ESD-55 N062

Part no...:10.01.06.04453

Size: 16

Suction cup material: Nitrile rubber NBR-ESD

Material hardness [Shore A]: 55 Shore A

Number of folds: 1.5



SA-NIP N062 G1/8-IG DN350

Part no...:10.01.06.05669

Thread G1: G1/8"-F

Length L1: 17.9 mm

Fitting length: 12 mm

Nominal diameter dn: 3.5 mm

Material: Aluminum