

Bellows suction cups (round)

SFB1 40 EPDM-45 G1/4-AG

Part no...:10.01.06.04422

<https://www.schmalz.com/10.01.06.04422>

Home > Vacuum Technology for Automation > Vacuum Components > Vacuum Suction Cups > Suction Cups for Plastic Films and Paper > Suction Cups SFF / SFB1 > SFB1 40 EPDM-45 G1/4-AG

Bellows suction cup (round) for very uneven workpieces flexible workpieces

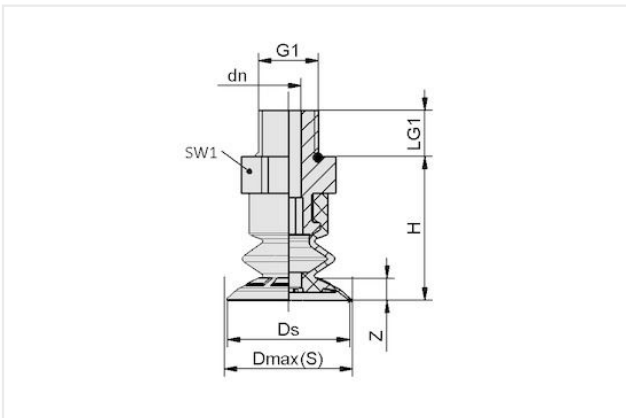


Size: 40

Suction cup material: EPDM

Material hardness [Shore A]: 45 Shore A

Design Data



Attribute	Value
Dmax(S)	42 mm
Ds	40 mm
d2	13.70 mm
dn	4.10 mm
G1	G1/4-AG
LG1	10 mm
H	35.70 mm
SW1	17 mm
Z (Stroke)	10 mm

Technical Data

Attribute	Value
Suction force (-600mbar)	8.80 N
Volume	7.50 cm ³
Size	40
Number of folds	1.50
Suction cup material	EPDM
Material hardness [Shore A]	45 Shore A
Product family	SFB1

Contact Schmalz

Schmalz Sp.z.o.o. | ul. Fabianowska 131/A1, 62-052 Komorniki, Poland | +48 61 628 67 70 | schmalz@schmalz.pl

Bellows suction cups (round)

SFB1 40 EPDM-45 G1/4-AG

Part no...:10.01.06.04422

<https://www.schmalz.com/10.01.06.04422>

Spare parts



SFB1 40 EPDM-45 SC050

Part no...:10.01.06.04378

Size: 40

Suction cup material: EPDM

Material hardness [Shore A]: 45 Shore A

Number of folds: 1.5



SC 050 G1/4-AG SW410

Part no...:10.01.06.04347

Connection geometry: 050

Vacuum connection: G1/4"-M

Fitting length: 7.2 mm

Nominal diameter dn: 4.1 mm