

Bellows suction cups (round)

SFB1 30 SI-55 G1/4-AG

Part no...:10.01.06.04415

<https://www.schmalz.com/10.01.06.04415>

Home > Vacuum Technology for Automation > Vacuum Components > Vacuum Suction Cups > Suction Cups for Plastic Films and Paper > Suction Cups SFF / SFB1 > SFB1 30 SI-55 G1/4-AG

Bellows suction cup (round) for very uneven workpieces flexible workpieces



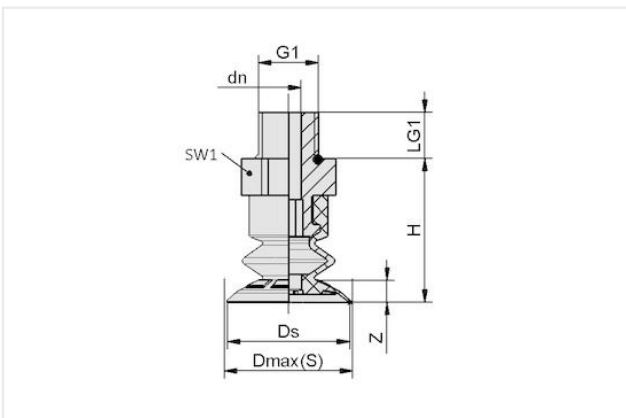
Size: 30

Suction cup material: Silicone SI

Material hardness [Shore A]: 55 Shore A

Material characteristics: FDA-compatible

Design Data



Attribute	Value
Dmax(S)	31.50 mm
Ds	30 mm
d2	9.90 mm
dn	4.10 mm
G1	G1/4-AG
LG1	10 mm
H	26.40 mm
SW1	17 mm
Z (Stroke)	8 mm

Technical Data

Attribute	Value
Suction force (-600mbar)	4.60 N
Volume	2.90 cm ³
Size	30
Number of folds	1.50
Suction cup material	Silicone SI
Material hardness [Shore A]	55 Shore A
Weight	10.10 g
Product family	SFB1

Contact Schmalz

Schmalz Sp.z.o.o. | ul. Fabianowska 131/A1, 62-052 Komorniki, Poland | +48 61 628 67 70 | schmalz@schmalz.pl

Bellows suction cups (round)

SFB1 30 SI-55 G1/4-AG

Part no...:10.01.06.04415

<https://www.schmalz.com/10.01.06.04415>

Spare parts



SFB1 30 SI-55 SC040

Part no...:10.01.06.04371

Size: 30

Suction cup material: Silicone SI

Material hardness [Shore A]: 55 Shore A

Number of folds: 1.5



SC 040 G1/4-AG

Part no...:10.01.06.03414

Connection geometry: 040

Vacuum connection: G1/4"-M

Fitting length: 6 mm

Nominal diameter dn: 4.1 mm