

Bellows suction cups (round)

SFB1 25 EPDM-45 G1/8-AG

Part no...:10.01.06.04410

<https://www.schmalz.com/10.01.06.04410>

Home > Vacuum Technology for Automation > Vacuum Components > Vacuum Suction Cups > Suction Cups for Plastic Films and Paper > Suction Cups SFF / SFB1 > SFB1 25 EPDM-45 G1/8-AG

Bellows suction cup (round) for very uneven workpieces flexible workpieces

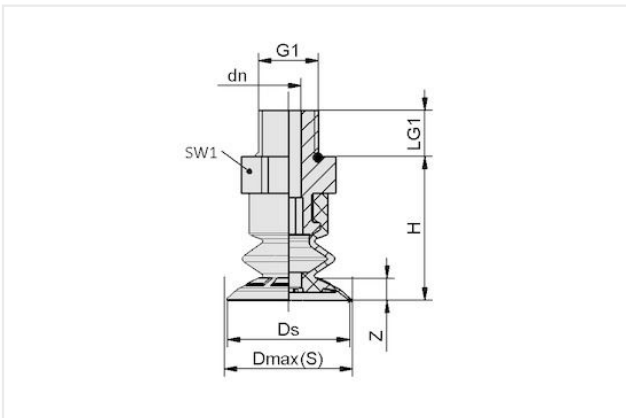


Size: 25

Suction cup material: EPDM

Material hardness [Shore A]: 45 Shore A

Design Data



Attribute	Value
Dmax(S)	26.50 mm
Ds	25 mm
d2	8.20 mm
dn	4.10 mm
G1	G1/8-AG
LG1	7.50 mm
H	25.20 mm
SW1	14 mm
Z (Stroke)	6.50 mm

Technical Data

Attribute	Value
Suction force (-600mbar)	3.20 N
Volume	1.90 cm ³
Size	25
Number of folds	1.50
Suction cup material	EPDM
Material hardness [Shore A]	45 Shore A
Product family	SFB1

Contact Schmalz

Schmalz Sp.z.o.o. | ul. Fabianowska 131/A1, 62-052 Komorniki, Poland | +48 61 628 67 70 | schmalz@schmalz.pl

Bellows suction cups (round)

SFB1 25 EPDM-45 G1/8-AG

Part no...:10.01.06.04410

<https://www.schmalz.com/10.01.06.04410>

Spare parts



SFB1 25 EPDM-45 SC040

Part no...:10.01.06.04376

Size: 25

Suction cup material: EPDM

Material hardness [Shore A]: 45 Shore A

Number of folds: 1.5



SC 040 G1/8-AG

Part no...:10.01.06.02490

Connection geometry: 040

Connection: G1/8"-M

Length L1: 20.2 mm

Fitting length: 6 mm

Nominal diameter dn: 4.1 mm