

## Bellows suction cups (round)

SFB1 25 SI-55 G1/8-AG

Part no...:10.01.06.04409

<https://www.schmalz.com/10.01.06.04409>

Home > Vacuum Technology for Automation > Vacuum Components > Vacuum Suction Cups > Suction Cups for Plastic Films and Paper > Suction Cups SFF / SFB1 > SFB1 25 SI-55 G1/8-AG

### Bellows suction cup (round) for very uneven workpieces flexible workpieces



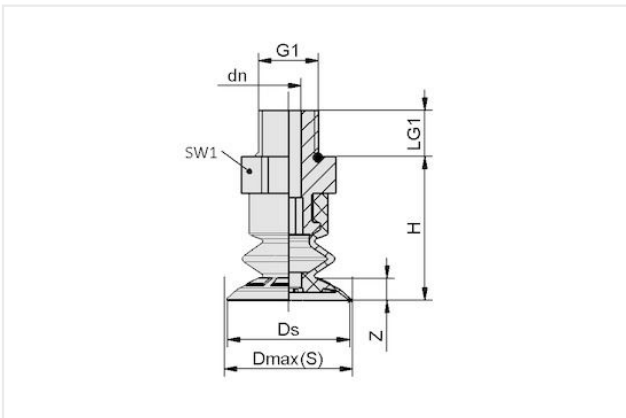
Size: 25

Suction cup material: Silicone SI

Material hardness [Shore A]: 55 Shore A

Material characteristics: FDA-compatible

### Design Data



Attribute	Value
Dmax(S)	26.50 mm
Ds	25 mm
d2	8.20 mm
dn	4.10 mm
G1	G1/8-AG
LG1	7.50 mm
H	25.20 mm
SW1	14 mm
Z (Stroke)	6.50 mm

### Technical Data

Attribute	Value
Suction force (-600mbar)	3.20 N
Volume	1.90 cm <sup>3</sup>
Size	25
Number of folds	1.50
Suction cup material	Silicone SI
Material hardness [Shore A]	55 Shore A
Weight	6.30 g
Product family	SFB1

### Contact Schmalz

Schmalz Sp.z.o.o. | ul. Fabianowska 131/A1, 62-052 Komorniki, Poland | +48 61 628 67 70 | [schmalz@schmalz.pl](mailto:schmalz@schmalz.pl)

## Bellows suction cups (round)

SFB1 25 SI-55 G1/8-AG

Part no...:10.01.06.04409

<https://www.schmalz.com/10.01.06.04409>

### Spare parts



#### SFB1 25 SI-55 SC040

Part no...:10.01.06.04370

Size: 25

Suction cup material: Silicone SI

Material hardness [Shore A]: 55 Shore A

Number of folds: 1.5



#### SC 040 G1/8-AG

Part no...:10.01.06.02490

Connection geometry: 040

Connection: G1/8"-M

Length L1: 20.2 mm

Fitting length: 6 mm

Nominal diameter dn: 4.1 mm