

Bellows suction cups (round)

SFB1 20 HT1-60 G1/8-IG

Part no...:10.01.06.04408

<https://www.schmalz.com/10.01.06.04408>

Home > Vacuum Technology for Automation > Vacuum Components > Vacuum Suction Cups > Suction Cups for the Electronics Industry > Suction Cups SFF / SFB1 > SFB1 20 HT1-60 G1/8-IG

Bellows suction cup (round) for very uneven workpieces flexible workpieces



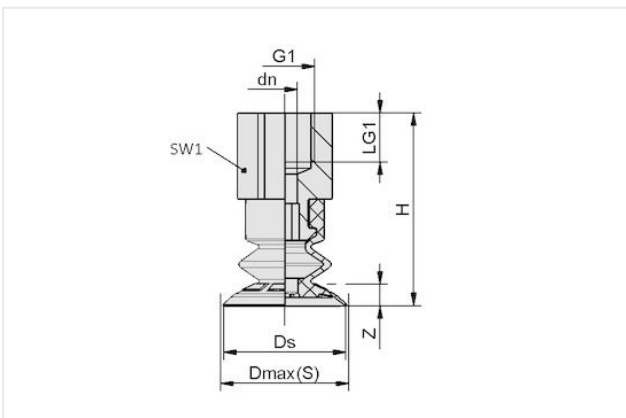
Size: 20

Suction cup material: High temp material HT1

Material hardness [Shore A]: 60 Shore A

Number of folds: 1.5

Design Data



Attribute	Value
G1	G1/8"-F
Dmax(S)	21 mm
Ds	20 mm
d2	6.60 mm
dn	4.10 mm
LG1	8 mm
H	31.50 mm
SW1	14 mm
Z (Stroke)	5 mm

Technical Data

Attribute	Value
Size	20
Suction cup material	High temp material HT1
Suction force (-600mbar)	2.10 N
Product family	SFB1
Volume	1.20 cm ³
Number of folds	1.50
Material hardness [Shore A]	60 Shore A

Contact Schmalz

Schmalz Sp.z.o.o. | ul. Fabianowska 131/A1, 62-052 Komorniki, Poland | +48 61 628 67 70 | schmalz@schmalz.pl

Bellows suction cups (round)

SFB1 20 HT1-60 G1/8-IG

Part no...:10.01.06.04408

<https://www.schmalz.com/10.01.06.04408>

Spare parts



SFB1 20 HT1-60 SC040

Part no...:10.01.06.04381

Size: 20

Suction cup material: High temp material HT1

Material hardness [Shore A]: 60 Shore A

Number of folds: 1.5



SC 040 G1/8-IG

Part no...:10.01.06.02482

Connection geometry: 040

Connection: G1/8"-F

Length L1: 20.7 mm

Fitting length: 14 mm

Nominal diameter dn: 4.1 mm