

Bellows suction cups (round)

SFB1 20 SI-55 G1/8-IG

Part no...:10.01.06.04406

<https://www.schmalz.com/10.01.06.04406>

Home > Vacuum Technology for Automation > Vacuum Components > Vacuum Suction Cups > Suction Cups for Plastic Films and Paper > Suction Cups SFF / SFB1 > SFB1 20 SI-55 G1/8-IG

Bellows suction cup (round) for very uneven workpieces flexible workpieces



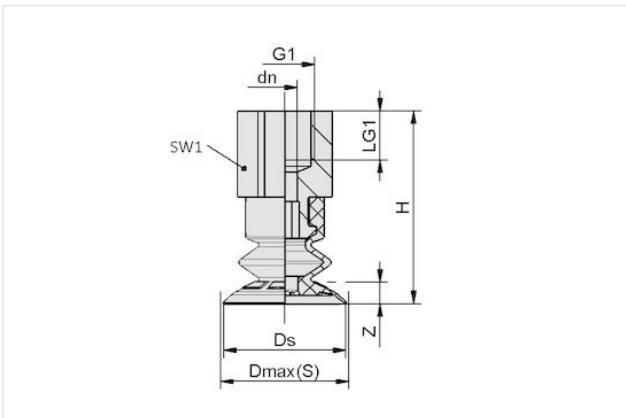
Size: 20

Suction cup material: Silicone SI

Material hardness [Shore A]: 55 Shore A

Material characteristics: FDA-compatible

Design Data



| Attribute | Value |
|------------|----------|
| Dmax(S) | 21 mm |
| Ds | 20 mm |
| d2 | 6.60 mm |
| dn | 4.10 mm |
| G1 | G1/8-IG |
| LG1 | 8 mm |
| H | 31.50 mm |
| SW1 | 14 mm |
| Z (Stroke) | 5 mm |

Technical Data

| Attribute | Value |
|-----------------------------|----------------------|
| Suction force (-600mbar) | 2.10 N |
| Volume | 1.20 cm ³ |
| Size | 20 |
| Number of folds | 1.50 |
| Suction cup material | Silicone SI |
| Material hardness [Shore A] | 55 Shore A |
| Weight | 6.60 g |
| Product family | SFB1 |

Contact Schmalz

Schmalz Sp.z.o.o. | ul. Fabianowska 131/A1, 62-052 Komorniki, Poland | +48 61 628 67 70 | schmalz@schmalz.pl

Bellows suction cups (round)

SFB1 20 SI-55 G1/8-IG

Part no...:10.01.06.04406

<https://www.schmalz.com/10.01.06.04406>

Spare parts



SFB1 20 SI-55 SC040

Part no...:10.01.06.04369

Size: 20

Suction cup material: Silicone SI

Material hardness [Shore A]: 55 Shore A

Number of folds: 1.5



SC 040 G1/8-IG

Part no...:10.01.06.02482

Connection geometry: 040

Connection: G1/8"-F

Length L1: 20.7 mm

Fitting length: 14 mm

Nominal diameter dn: 4.1 mm