

## Bellows suction cups (round)

SFB1 15 HT1-60 M5-AG

Part no...:10.01.06.04396

<https://www.schmalz.com/10.01.06.04396>

Home > Vacuum Technology for Automation > Vacuum Components > Vacuum Suction Cups > Suction Cups for the Electronics Industry > Suction Cups SFF / SFB1 > SFB1 15 HT1-60 M5-AG

### Bellows suction cup (round) for very uneven workpieces flexible workpieces



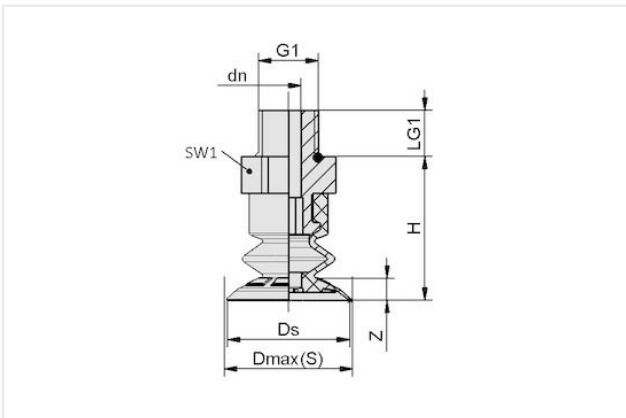
Size: 15

Suction cup material: High temp material HT1

Material hardness [Shore A]: 60 Shore A

Number of folds: 1.5

### Design Data



Attribute	Value
G1	M5-M
Dmax(S)	16 mm
Ds	15 mm
d2	4.70 mm
dn	1.80 mm
LG1	4.70 mm
H	21 mm
SW1	8 mm
Z (Stroke)	4 mm

### Technical Data

Attribute	Value
Size	15
Suction cup material	High temp material HT1
Suction force (-600mbar)	1 N
Product family	SFB1
Volume	0.80 cm <sup>3</sup>
Number of folds	1.50
Material hardness [Shore A]	60 Shore A

### Contact Schmalz

Schmalz Sp.z.o.o. | ul. Fabianowska 131/A1, 62-052 Komorniki, Poland | +48 61 628 67 70 | [schmalz@schmalz.pl](mailto:schmalz@schmalz.pl)

## Bellows suction cups (round)

SFB1 15 HT1-60 M5-AG

Part no...:10.01.06.04396

<https://www.schmalz.com/10.01.06.04396>

### Spare parts



#### SFB1 15 HT1-60 SC040

Part no...:10.01.06.04380

Size: 15

Suction cup material: High temp material HT1

Material hardness [Shore A]: 60 Shore A

Number of folds: 1.5



#### SC 040 M5-AG

Part no...:10.01.06.04346

Connection geometry: 040

Vacuum connection: M5-M

Fitting length: 5 mm

Nominal diameter dn: 1.8 mm