

Bellows suction cups (round)

SFB1 15 EPDM-45 M5-AG

Part no...:10.01.06.04395

<https://www.schmalz.com/10.01.06.04395>

Home > Vacuum Technology for Automation > Vacuum Components > Vacuum Suction Cups > Suction Cups for Plastic Films and Paper > Suction Cups SFF / SFB1 > SFB1 15 EPDM-45 M5-AG

Bellows suction cup (round) for very uneven workpieces flexible workpieces

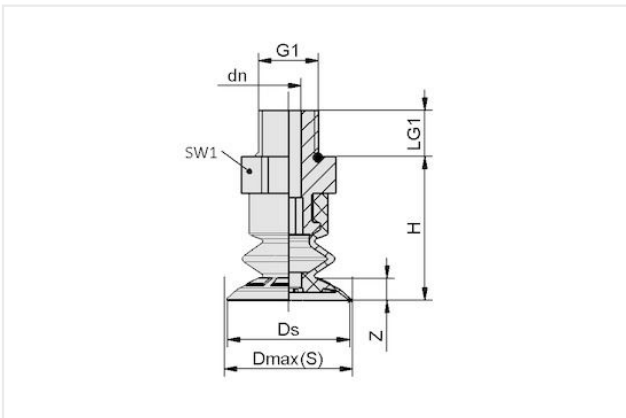


Size: 15

Suction cup material: EPDM

Material hardness [Shore A]: 45 Shore A

Design Data



Attribute	Value
Dmax(S)	16 mm
Ds	15 mm
d2	4.70 mm
dn	1.80 mm
G1	M5-AG
LG1	4.70 mm
H	21 mm
SW1	8 mm
Z (Stroke)	4 mm

Technical Data

Attribute	Value
Suction force (-600mbar)	1 N
Volume	0.80 cm ³
Size	15
Number of folds	1.50
Suction cup material	EPDM
Material hardness [Shore A]	45 Shore A
Product family	SFB1

Contact Schmalz

Schmalz Sp.z.o.o. | ul. Fabianowska 131/A1, 62-052 Komorniki, Poland | +48 61 628 67 70 | schmalz@schmalz.pl

Bellows suction cups (round)

SFB1 15 EPDM-45 M5-AG

Part no...:10.01.06.04395

<https://www.schmalz.com/10.01.06.04395>

Spare parts



SFB1 15 EPDM-45 SC040

Part no...:10.01.06.04374

Size: 15

Suction cup material: EPDM

Material hardness [Shore A]: 45 Shore A

Number of folds: 1.5



SC 040 M5-AG

Part no...:10.01.06.04346

Connection geometry: 040

Vacuum connection: M5-M

Fitting length: 5 mm

Nominal diameter dn: 1.8 mm