

Bellows suction cups (round)

SFB1 10 SI-55 M5-AG

Part no...:10.01.06.04391

<https://www.schmalz.com/10.01.06.04391>

Home > Vacuum Technology for Automation > Vacuum Components > Vacuum Suction Cups > Suction Cups for Plastic Films and Paper > Suction Cups SFF / SFB1 > SFB1 10 SI-55 M5-AG

Bellows suction cup (round) for very uneven workpieces flexible workpieces



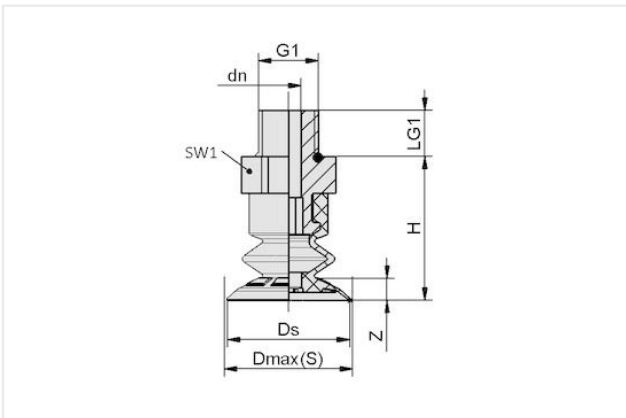
Size: 10

Suction cup material: Silicone SI

Material hardness [Shore A]: 55 Shore A

Material characteristics: FDA-compatible

Design Data



Attribute	Value
Dmax(S)	11 mm
Ds	10 mm
d2	4.20 mm
dn	1.80 mm
G1	M5-AG
LG1	4.70 mm
H	17.30 mm
SW1	8 mm
Z (Stroke)	2.50 mm

Technical Data

Attribute	Value
Suction force (-600mbar)	0.50 N
Volume	0.30 cm ³
Size	10
Number of folds	1.50
Suction cup material	Silicone SI
Material hardness [Shore A]	55 Shore A
Weight	1.60 g
Product family	SFB1

Contact Schmalz

Schmalz Sp.z.o.o. | ul. Fabianowska 131/A1, 62-052 Komorniki, Poland | +48 61 628 67 70 | schmalz@schmalz.pl

Bellows suction cups (round)

SFB1 10 SI-55 M5-AG

Part no...:10.01.06.04391

<https://www.schmalz.com/10.01.06.04391>

Spare parts



SFB1 10 SI-55 SC030

Part no...:10.01.06.04367

Size: 10

Suction cup material: Silicone SI

Material hardness [Shore A]: 55 Shore A

Number of folds: 1.5



SC 030 M5-AG

Part no...:10.01.06.02802

Connection geometry: 030

Connection: M5-M

Length L1: 15.5 mm

Fitting length: 5 mm

Nominal diameter dn: 1.8 mm