

## Bellows suction pad (round)

SFB1 40 HT1-60 SC050

Part no...:10.01.06.04384

<https://www.schmalz.com/10.01.06.04384>

Home > Vacuum Technology for Automation > Vacuum Components > Vacuum Suction Cups > Suction Cups for Plastic Films and Paper > SFB1 40 HT1-60 SC050

### Bellows suction cup (round) with 1.5 corr. for dynamic handling workpieces



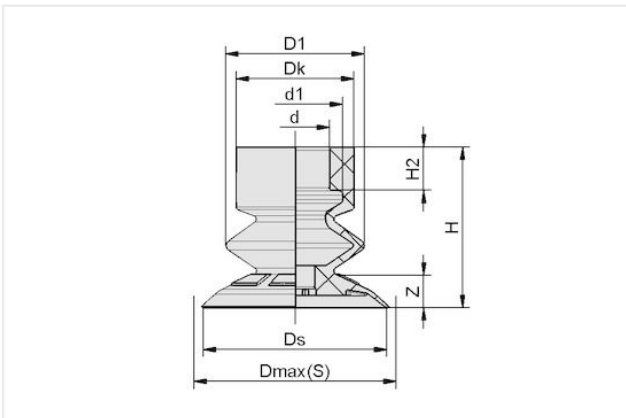
Size: 40

Suction cup material: High temp material HT1

Material hardness [Shore A]: 60 Shore A

Number of folds: 1.5

### Design Data



Attribute	Value
D1	29.80 mm
Dmax(S)	42 mm
Dk	20 mm
Ds	40 mm
d	11.40 mm
d1	17 mm
d2	13.70 mm
H	29.70 mm
H2	6.60 mm
Z (Stroke)	10 mm

### Technical Data

Attribute	Value
Suction force (-600mbar)	8.80 N
Volume	7.53 cm <sup>3</sup>
Size	40
Number of folds	1.50
Suction cup material	High temp material HT1
Material hardness [Shore A]	60 Shore A
Curve radius (min) (convex)	30 mm
Nipple family	SC 050

### Contact Schmalz

Schmalz Sp.z.o.o. | ul. Fabianowska 131/A1, 62-052 Komorniki, Poland | +48 61 628 67 70 | [schmalz@schmalz.pl](mailto:schmalz@schmalz.pl)

## Bellows suction pad (round)

SFB1 40 HT1-60 SC050

Part no.:10.01.06.04384

<https://www.schmalz.com/10.01.06.04384>

Product family

SFB1

### Accessories



#### SC 050 G1/4-AG SW410

Part no.:10.01.06.04347

Connection geometry: 050

Vacuum connection: G1/4"-M

Fitting length: 7.2 mm

Nominal diameter dn: 4.1 mm



#### SC 050 G1/4-IG SW410

Part no.:10.01.06.04348

Connection geometry: 050

Vacuum connection: G1/4"-F

Fitting length: 17.2 mm

Nominal diameter dn: 4.1 mm