

Bellows suction pad (round)

SFB1 30 HT1-60 SC040

Part no...:10.01.06.04383

<https://www.schmalz.com/10.01.06.04383>

Home > Vacuum Technology for Automation > Vacuum Components > Vacuum Suction Cups > Suction Cups for Plastic Films and Paper > SFB1 30 HT1-60 SC040

Bellows suction cup (round) with 1.5 corr. for dynamic handling workpieces



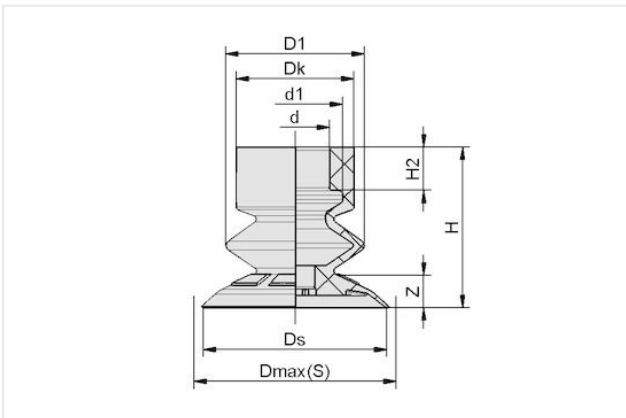
Size: 30

Suction cup material: High temp material HT1

Material hardness [Shore A]: 60 Shore A

Number of folds: 1.5

Design Data



Attribute	Value
D1	22.20 mm
Dmax(S)	31.50 mm
Dk	13 mm
Ds	30 mm
d	7.50 mm
d1	10.40 mm
d2	9.90 mm
H	20.40 mm
H2	4.70 mm
Z (Stroke)	8 mm

Technical Data

Attribute	Value
Suction force (-600mbar)	4.60 N
Volume	2.88 cm ³
Size	30
Number of folds	1.50
Suction cup material	High temp material HT1
Material hardness [Shore A]	60 Shore A
Curve radius (min) (convex)	20 mm
Nipple family	SC 040

Contact Schmalz

Schmalz Sp.z.o.o. | ul. Fabianowska 131/A1, 62-052 Komorniki, Poland | +48 61 628 67 70 | schmalz@schmalz.pl

Bellows suction pad (round)

SFB1 30 HT1-60 SC040

Part no.:10.01.06.04383

<https://www.schmalz.com/10.01.06.04383>

Product family

SFB1

Accessories



SC 040 G1/4-AG

Part no.:10.01.06.03414

Connection geometry: 040

Vacuum connection: G1/4"-M

Fitting length: 6 mm

Nominal diameter dn: 4.1 mm



SC 040 G1/4-IG

Part no.:10.01.06.02918

Connection geometry: 040

Vacuum connection: G1/4"-F

Fitting length: 17.3 mm

Nominal diameter dn: 4.1 mm

Spare parts

Contact Schmalz

Schmalz Sp.z.o.o. | ul. Fabianowska 131/A1, 62-052 Komorniki, Poland | +48 61 628 67 70 | schmalz@schmalz.pl

Bellows suction pad (round)

SFB1 30 HT1-60 SC040

Part no...:10.01.06.04383

<https://www.schmalz.com/10.01.06.04383>



SC 040 M5-AG

Part no...:10.01.06.04346

Connection geometry: 040

Vacuum connection: M5-M

Fitting length: 5 mm

Nominal diameter dn: 1.8 mm