

Bellows suction pad (round)

SFB1 20 EPDM-45 SC040

Part no...:10.01.06.04375

<https://www.schmalz.com/10.01.06.04375>

Home > Vacuum Technology for Automation > Vacuum Components > Vacuum Suction Cups > Suction Cups for Plastic Films and Paper > SFB1 20 EPDM-45 SC040

Bellows suction cup (round) with 1.5 corr. for dynamic handling workpieces



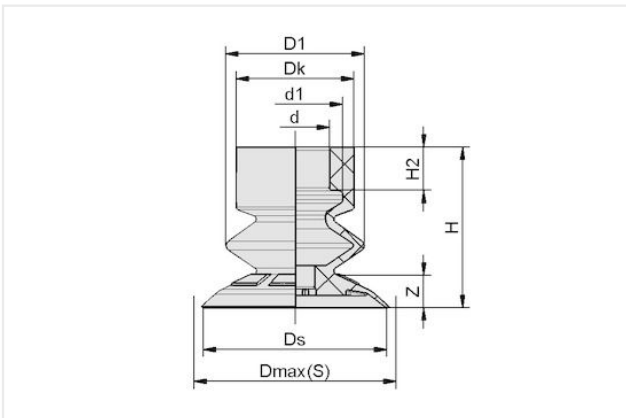
Size: 20

Suction cup material: EPDM

Material hardness [Shore A]: 45 Shore A

Number of folds: 1.5

Design Data



Attribute	Value
D1	15.10 mm
Dmax(S)	21 mm
Dk	12.80 mm
Ds	20 mm
d	7.50 mm
d1	10.40 mm
d2	6.60 mm
H	17.50 mm
H2	4.70 mm
Z (Stroke)	5 mm

Technical Data

Attribute	Value
Suction force (-600mbar)	2.10 N
Volume	1.18 cm ³
Size	20
Number of folds	1.50
Suction cup material	EPDM
Material hardness [Shore A]	45 Shore A
Curve radius (min) (convex)	12.50 mm
Nipple family	SC 040

Contact Schmalz

Schmalz Sp.z.o.o. | ul. Fabianowska 131/A1, 62-052 Komorniki, Poland | +48 61 628 67 70 | schmalz@schmalz.pl

Bellows suction pad (round)

SFB1 20 EPDM-45 SC040

Part no...:10.01.06.04375

<https://www.schmalz.com/10.01.06.04375>

Product family

SFB1

Accessories



SC 040 G1/8-AG

Part no...:10.01.06.02490

Connection geometry: 040

Connection: G1/8"-M

Length L1: 20.2 mm

Fitting length: 6 mm

Nominal diameter dn: 4.1 mm



SC 040 G1/8-IG

Part no...:10.01.06.02482

Connection geometry: 040

Connection: G1/8"-F

Length L1: 20.7 mm

Fitting length: 14 mm

Nominal diameter dn: 4.1 mm

Spare parts

Contact Schmalz

Schmalz Sp.z.o.o. | ul. Fabianowska 131/A1, 62-052 Komorniki, Poland | +48 61 628 67 70 | schmalz@schmalz.pl

Bellows suction pad (round)

SFB1 20 EPDM-45 SC040

Part no...:10.01.06.04375

<https://www.schmalz.com/10.01.06.04375>



SC 040 M5-AG

Part no...:10.01.06.04346

Connection geometry: 040

Vacuum connection: M5-M

Fitting length: 5 mm

Nominal diameter dn: 1.8 mm