

Bellows suction pad (round)

SFB1 40 SI-55 SC050

Part no...:10.01.06.04372

<https://www.schmalz.com/10.01.06.04372>

Home > Vacuum Technology for Automation > Vacuum Components > Vacuum Suction Cups > Suction Cups for Plastic Films and Paper > SFB1 40 SI-55 SC050

Bellows suction cup (round) with 1.5 corr. for dynamic handling workpieces



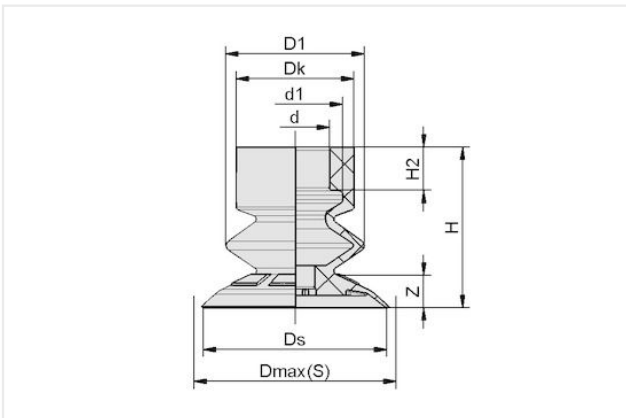
Size: 40

Suction cup material: Silicone SI

Material hardness [Shore A]: 55 Shore A

Number of folds: 1.5

Design Data



| Attribute | Value |
|------------|----------|
| D1 | 29.80 mm |
| Dmax(S) | 42 mm |
| Dk | 20 mm |
| Ds | 40 mm |
| d | 11.40 mm |
| d1 | 17 mm |
| d2 | 13.70 mm |
| H | 29.70 mm |
| H2 | 6.60 mm |
| Z (Stroke) | 10 mm |

Technical Data

| Attribute | Value |
|-----------------------------|----------------------|
| Suction force (-600mbar) | 8.80 N |
| Volume | 7.53 cm ³ |
| Size | 40 |
| Number of folds | 1.50 |
| Suction cup material | Silicone SI |
| Material hardness [Shore A] | 55 Shore A |
| Curve radius (min) (convex) | 30 mm |
| Nipple family | SC 050 |

Contact Schmalz

Schmalz Sp.z.o.o. | ul. Fabianowska 131/A1, 62-052 Komorniki, Poland | +48 61 628 67 70 | schmalz@schmalz.pl

Bellows suction pad (round)

SFB1 40 SI-55 SC050

Part no...:10.01.06.04372

<https://www.schmalz.com/10.01.06.04372>

| | |
|----------------|--------|
| Weight | 7.50 g |
| Product family | SFB1 |

Accessories



SC 050 G1/4-AG SW410

Part no...:10.01.06.04347

Connection geometry: 050

Vacuum connection: G1/4"-M

Fitting length: 7.2 mm

Nominal diameter dn: 4.1 mm



SC 050 G1/4-IG SW410

Part no...:10.01.06.04348

Connection geometry: 050

Vacuum connection: G1/4"-F

Fitting length: 17.2 mm

Nominal diameter dn: 4.1 mm