

Bellows suction cups (round)

FSG 7 NBR-ESD-55 G1/8-AG

Part no...:10.01.06.04334

<https://www.schmalz.com/10.01.06.04334>

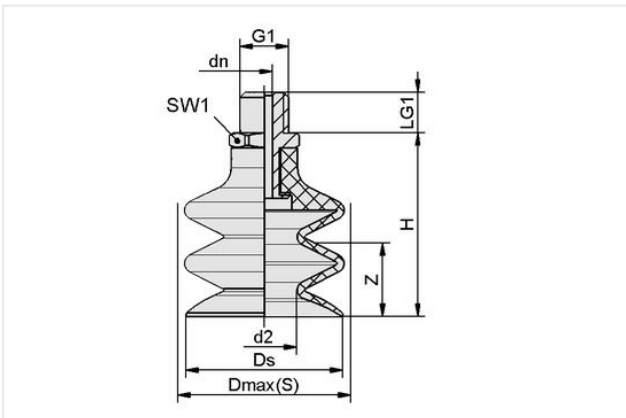
Home > Vacuum Technology for Automation > Vacuum Components > Vacuum Suction Cups > Bellows Suction Cups (Round) > Bellows Suction Cups FSG (2.5 Folds) > FSG 7 NBR-ESD-55 G1/8-AG

Bellows suction cup (round) for very uneven workpieces



Size: 7
Suction cup material: Nitrile rubber NBR-ESD
Material hardness [Shore A]: 55 Shore A
Nipple material: Aluminum
Connection: G1/8"-M
Number of folds: 2.5
Vacuum connection: G1/8"-M

Design Data



Attribute	Value
d2	1.80 mm
dn	3.50 mm
Dmax(S)	7 mm
Ds	5.90 mm
G1	G1/8"-M
H	20 mm
LG1	7.50 mm
SW1	14 mm
Z (Stroke)	3 mm

Note: Acceptable dimensional tolerances for elastomer parts concerning to DIN ISO 3302-1 M3

Technical Data

Attribute	Value
Suction cup material	Nitrile rubber NBR-ESD
Material hardness [Shore A]	55 Shore A
Size	7
Number of folds	2.50
Connection	G1/8-AG
Curve radius (min) (convex)	7.50 mm
Volume	0.04 cm ³

Contact Schmalz

Schmalz Sp.z.o.o. | ul. Fabianowska 131/A1, 62-052 Komorniki, Poland | +48 61 628 67 70 | schmalz@schmalz.pl

Bellows suction cups (round)

FSG 7 NBR-ESD-55 G1/8-AG

Part no...:10.01.06.04334

<https://www.schmalz.com/10.01.06.04334>

Suction force (-600mbar)	0.15 N
Pull-off force	0.90 N
Hose diameter (empf.) d	4 mm
Weight	4.30 g
Product family	FSG

Note: Suction force: The specified suction forces are theoretical values at a vacuum of -0.6 bar and with a dry, smooth and flat workpiece surface - they do not include a safety factor Pull-off force: The pull-off force of the versions made of natural rubber is reduced by about 40% Hose diameter: The recommended hose diameter refers to a hose length of approx. 2 m

Spare parts



FG 7 NBR-ESD-55 N062

Part no...:10.01.06.04139

Size: 7

Suction cup material: Nitrile rubber NBR-ESD

Material hardness [Shore A]: 55 Shore A

Number of folds: 2.5



SA-NIP N062 G1/8-AG DN350

Part no...:10.01.06.05670

Thread G1: G1/8"-M

Length L1: 19.4 mm

Fitting length: 6 mm

Nominal diameter dn: 3.5 mm

Material: Aluminum