

## Bellows suction cups (round)

FSG 5 NBR-ESD-55 M5-AG

Part no...:10.01.06.04332

<https://www.schmalz.com/10.01.06.04332>

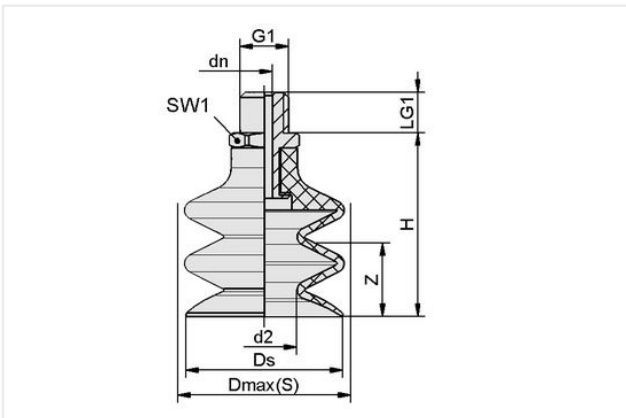
Home > Vacuum Technology for Automation > Vacuum Components > Vacuum Suction Cups > Bellows Suction Cups (Round) > Bellows Suction Cups FSG (2.5 Folds) > FSG 5 NBR-ESD-55 M5-AG

### Bellows suction cup (round) for very uneven workpieces



Size: 5
Suction cup material: Nitrile rubber NBR-dissipative
Material hardness [Shore A]: 55 Shore A
Nipple material: Aluminum
Connection: M5-M
Number of folds: 2.5
Vacuum connection: M5-M

### Design Data



Attribute	Value
d2	2.60 mm
dn	2 mm
Dmax(S)	7 mm
Ds	5 mm
G1	M5-M
H	19 mm
LG1	5 mm
SW1	8 mm
Z (Stroke)	2 mm

Note: Acceptable dimensional tolerances for elastomer parts concerning to DIN ISO 3302-1 M3

### Technical Data

Attribute	Value
Suction cup material	Nitrile rubber NBR-dissipative
Material hardness [Shore A]	55 Shore A
Size	5
Number of folds	2.50
Connection	M5-AG
Curve radius (min) (convex)	7.50 mm
Product family	FSG

### Contact Schmalz

Schmalz Sp.z.o.o. | ul. Fabianowska 131/A1, 62-052 Komorniki, Poland | +48 61 628 67 70 | [schmalz@schmalz.pl](mailto:schmalz@schmalz.pl)

## Bellows suction cups (round)

FSG 5 NBR-ESD-55 M5-AG

Part no...:10.01.06.04332

<https://www.schmalz.com/10.01.06.04332>

Note: Suction force: The specified suction forces are theoretical values at a vacuum of -0.6 bar and with a dry, smooth and flat workpiece surface - they do not include a safety factor Pull-off force: The pull-off force of the versions made of natural rubber is reduced by about 40% Hose diameter: The recommended hose diameter refers to a hose length of approx. 2 m

### Spare parts



#### FG 5 NBR-ESD-55 N017

Part no...:10.01.06.04215

Size: 5

Suction cup material: Nitrile rubber NBR-ESD

Material hardness [Shore A]: 55 Shore A

Number of folds: 2.5



#### SA-NIP N017 M5-AG DN200

Part no...:10.01.06.00314

Thread G1: M5-M

Fitting length: 5 mm

Material: Aluminum