

## Bellows suction cups (round)

FSG 4 NBR-ESD-55 M5-IG

Part no...:10.01.06.04331

<https://www.schmalz.com/10.01.06.04331>

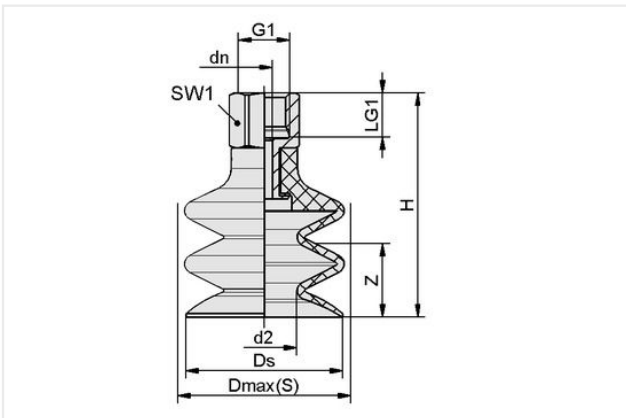
Home > Vacuum Technology for Automation > Vacuum Components > Vacuum Suction Cups > Bellows Suction Cups (Round) > Bellows Suction Cups FSG (2.5 Folds) > FSG 4 NBR-ESD-55 M5-IG

### Bellows suction cup (round) for very uneven workpieces



Size: 4
Suction cup material: Nitrile rubber NBR-dissipative
Material hardness [Shore A]: 55 Shore A
Nipple material: Aluminum
Connection: M5-F
Number of folds: 2.5
Vacuum connection: M5-F

### Design Data



Attribute	Value
d2	2.40 mm
dn	2 mm
Dmax(S)	5.50 mm
Ds	3.80 mm
G1	M5-F
H	24 mm
LG1	5.50 mm
SW1	8 mm
Z (Stroke)	1.50 mm

Note: Acceptable dimensional tolerances for elastomer parts concerning to DIN ISO 3302-1 M3

### Technical Data

Attribute	Value
Suction cup material	Nitrile rubber NBR-dissipative
Material hardness [Shore A]	55 Shore A
Size	4
Number of folds	2.50
Connection	M5-IG
Curve radius (min) (convex)	4 mm
Volume	0.05 cm <sup>3</sup>

### Contact Schmalz

Schmalz Sp.z.o.o. | ul. Fabianowska 131/A1, 62-052 Komorniki, Poland | +48 61 628 67 70 | [schmalz@schmalz.pl](mailto:schmalz@schmalz.pl)

## Bellows suction cups (round)

FSG 4 NBR-ESD-55 M5-IG

Part no...:10.01.06.04331

<https://www.schmalz.com/10.01.06.04331>

Suction force (-600mbar)	0.27 N
Pull-off force	0.60 N
Hose diameter (empf.) d	2 mm
Weight	1.80 g
Product family	FSG

Note: Suction force: The specified suction forces are theoretical values at a vacuum of -0.6 bar and with a dry, smooth and flat workpiece surface - they do not include a safety factor Pull-off force: The pull-off force of the versions made of natural rubber is reduced by about 40% Hose diameter: The recommended hose diameter refers to a hose length of approx. 2 m

### Spare parts



#### FG 4 NBR-ESD-55 N017

Part no...:10.01.06.04138

Size: 4

Suction cup material: Nitrile rubber NBR-ESD

Material hardness [Shore A]: 55 Shore A

Number of folds: 2.5



#### SA-NIP N017 M5-IG DN200

Part no...:10.01.06.00313

Thread G1: M5-F

Fitting length: 10 mm

Material: Aluminum