

Bellows suction cups (round)

FSGA 20 NBR-ESD-55 M5-AG

Part no...:10.01.06.04325

<https://www.schmalz.com/10.01.06.04325>

Home > Vacuum Technology for Automation > Vacuum Components > Vacuum Suction Cups > Suction Cups for the Electronics Industry > Bellows Suction Cups FSGA (1.5 Folds) > FSGA 20 NBR-ESD-55 M5-AG

Bellows suction cup (round) with optimal adaptation to uneven surfaces



Size: 20

Suction cup material: Nitrile rubber NBR-ESD

Material hardness [Shore A]: 55 Shore A

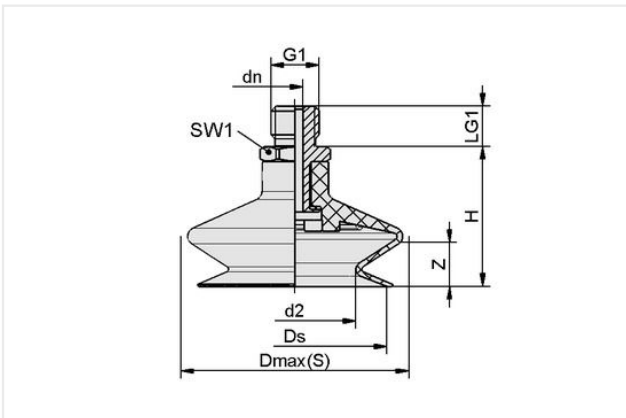
Nipple material: Aluminum

Connection: M5-M

Number of folds: 1.5

Vacuum connection: M5-M

Design Data



| Attribute | Value |
|------------|----------|
| d2 | 11 mm |
| Dmax(S) | 21 mm |
| dn | 2.50 mm |
| Ds | 18.10 mm |
| G1 | M5-M |
| H | 20.20 mm |
| LG1 | 5 mm |
| SW1 | 7 mm |
| Z (Stroke) | 5 mm |

Note: Acceptable dimensional tolerances for elastomer parts concerning to DIN ISO 3302-1 M3

Technical Data

| Attribute | Value |
|-----------------------------|------------------------|
| Suction cup material | Nitrile rubber NBR-ESD |
| Material hardness [Shore A] | 55 Shore A |
| Size | 20 |
| Number of folds | 1.50 |
| Connection | M5-AG |
| Curve radius (min) (convex) | 20 mm |
| Volume | 1.15 cm ³ |

Contact Schmalz

Schmalz Sp.z.o.o. | ul. Fabianowska 131/A1, 62-052 Komorniki, Poland | +48 61 628 67 70 | schmalz@schmalz.pl

Bellows suction cups (round)

FSGA 20 NBR-ESD-55 M5-AG

Part no...:10.01.06.04325

<https://www.schmalz.com/10.01.06.04325>

| | |
|--------------------------|---------|
| Suction force (-600mbar) | 4.70 N |
| Pull-off force | 10.70 N |
| Hose diameter (empf.) d | 2 mm |
| Weight | 2.70 g |
| Product family | FSGA |

Note: Suction force: The specified suction forces are theoretical values at a vacuum of -0.6 bar and with a dry, smooth and flat workpiece surface - they do not include a safety factor Pull-off force: The pull-off force of the versions made of natural rubber is reduced by about 40% Hose diameter: The recommended hose diameter refers to a hose length of approx. 2 m

Spare parts



FGA 20 NBR-ESD-55 N062

Part no...:10.01.06.04258

Size: 20

Suction cup material: Nitrile rubber NBR-ESD

Material hardness [Shore A]: 55 Shore A

Number of folds: 1.5



SA-NIP N062 M5-AG DN250

Part no...:10.01.06.05668

Thread G1: M5-M

Length L1: 15.9 mm

Fitting length: 5 mm

Nominal diameter dn: 2.5 mm

Material: Aluminum