

Bellows suction cups (round)

FSGA 6 NBR-ESD-55 M5-IG

Part no...:10.01.06.04318

<https://www.schmalz.com/10.01.06.04318>

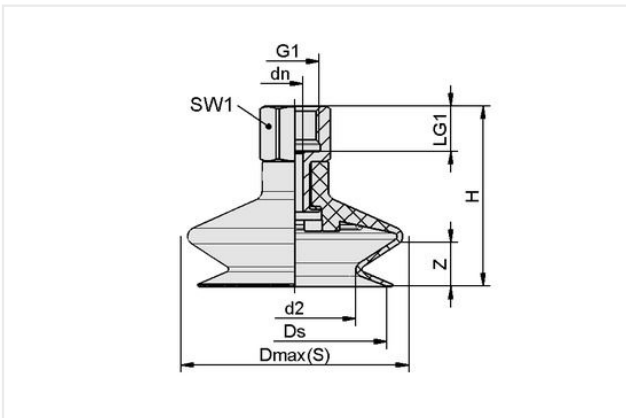
Home > Vacuum Technology for Automation > Vacuum Components > Vacuum Suction Cups > Suction Cups for the Electronics Industry > Bellows Suction Cups FSGA (1.5 Folds) > FSGA 6 NBR-ESD-55 M5-IG

Bellows suction cup (round) with optimal adaptation to uneven surfaces



| |
|--|
| Size: 6 |
| Suction cup material: Nitrile rubber NBR-ESD |
| Material hardness [Shore A]: 55 Shore A |
| Nipple material: Aluminum |
| Connection: M5-F |
| Number of folds: 1.5 |
| Vacuum connection: M5-F |

Design Data



| Attribute | Value |
|------------|---------|
| d2 | 3 mm |
| Dmax(S) | 8 mm |
| dn | 2 mm |
| Ds | 5.70 mm |
| G1 | M5-F |
| H | 19 mm |
| LG1 | 5.50 mm |
| SW1 | 8 mm |
| Z (Stroke) | 2 mm |

Note: Acceptable dimensional tolerances for elastomer parts concerning to DIN ISO 3302-1 M3

Technical Data

| Attribute | Value |
|-----------------------------|------------------------|
| Suction cup material | Nitrile rubber NBR-ESD |
| Material hardness [Shore A] | 55 Shore A |
| Size | 6 |
| Number of folds | 1.50 |
| Connection | M5-IG |
| Curve radius (min) (convex) | 4 mm |
| Volume | 1.51 cm ³ |

Contact Schmalz

Schmalz Sp.z.o.o. | ul. Fabianowska 131/A1, 62-052 Komorniki, Poland | +48 61 628 67 70 | schmalz@schmalz.pl

Bellows suction cups (round)

FSGA 6 NBR-ESD-55 M5-IG

Part no...:10.01.06.04318

<https://www.schmalz.com/10.01.06.04318>

| | |
|--------------------------|--------|
| Suction force (-600mbar) | 0.40 N |
| Pull-off force | 1.40 N |
| Hose diameter (empf.) d | 4 mm |
| Weight | 1.50 g |
| Product family | FSGA |

Note: Suction force: The specified suction forces are theoretical values at a vacuum of -0.6 bar and with a dry, smooth and flat workpiece surface - they do not include a safety factor Pull-off force: The pull-off force of the versions made of natural rubber is reduced by about 40% Hose diameter: The recommended hose diameter refers to a hose length of approx. 2 m

Spare parts



SA-NIP N004 M5-IG DN200

Part no...:10.01.01.03518

Thread G1: M5-F

Length L1: 14 mm

Fitting length: 10 mm

Material: Aluminum



FGA 6 NBR-ESD-55 N004

Part no...:10.01.06.04135

Size: 6

Suction cup material: Nitrile rubber NBR-ESD

Material hardness [Shore A]: 55 Shore A

Number of folds: 1.5