

Bellows suction cups (round)

FSGA 6 NBR-ESD-55 M5-AG

Part no...:10.01.06.04317

<https://www.schmalz.com/10.01.06.04317>

Home > Vacuum Technology for Automation > Vacuum Components > Vacuum Suction Cups > Suction Cups for the Electronics Industry > Bellows Suction Cups FSGA (1.5 Folds) > FSGA 6 NBR-ESD-55 M5-AG

Bellows suction cup (round) with optimal adaptation to uneven surfaces



Size: 6

Suction cup material: Nitrile rubber NBR-ESD

Material hardness [Shore A]: 55 Shore A

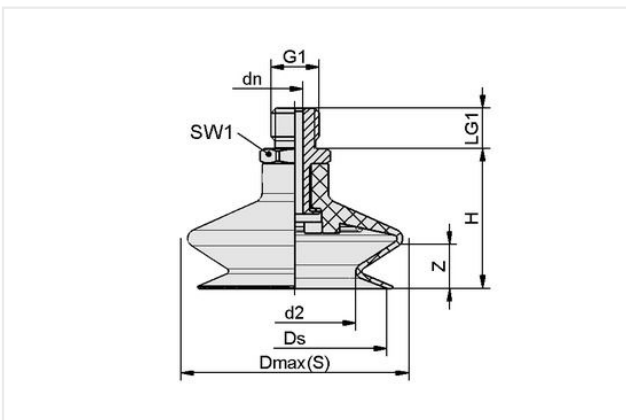
Nipple material: Aluminum

Connection: M5-M

Number of folds: 1.5

Vacuum connection: M5-M

Design Data



Attribute	Value
d2	3 mm
Dmax(S)	8 mm
dn	2 mm
Ds	5.70 mm
G1	M5-M
H	14 mm
LG1	4.50 mm
SW1	8 mm
Z (Stroke)	2 mm

Note: Acceptable dimensional tolerances for elastomer parts concerning to DIN ISO 3302-1 M3

Technical Data

Attribute	Value
Suction cup material	Nitrile rubber NBR-ESD
Material hardness [Shore A]	55 Shore A
Size	6
Number of folds	1.50
Connection	M5-AG
Curve radius (min) (convex)	4 mm
Volume	0.11 cm ³

Contact Schmalz

Schmalz Sp.z.o.o. | ul. Fabianowska 131/A1, 62-052 Komorniki, Poland | +48 61 628 67 70 | schmalz@schmalz.pl

Bellows suction cups (round)

FSGA 6 NBR-ESD-55 M5-AG

Part no...:10.01.06.04317

<https://www.schmalz.com/10.01.06.04317>

Suction force (-600mbar)	0.40 N
Pull-off force	1.40 N
Hose diameter (empf.) d	4 mm
Weight	1.50 g
Product family	FSGA

Note: Suction force: The specified suction forces are theoretical values at a vacuum of -0.6 bar and with a dry, smooth and flat workpiece surface - they do not include a safety factor Pull-off force: The pull-off force of the versions made of natural rubber is reduced by about 40% Hose diameter: The recommended hose diameter refers to a hose length of approx. 2 m

Spare parts



SA-NIP N004 M5-AG DN200

Part no...:10.01.01.03526

Thread G1: M5-M

Length L1: 13.5 mm

Fitting length: 5 mm

Material: Aluminum



FGA 6 NBR-ESD-55 N004

Part no...:10.01.06.04135

Size: 6

Suction cup material: Nitrile rubber NBR-ESD

Material hardness [Shore A]: 55 Shore A

Number of folds: 1.5