

## Bellows suction cups (round)

SPB2f 20 SI-55 G1/8-AG

Part no...:10.01.06.04314

<https://www.schmalz.com/10.01.06.04314>

Home > Vacuum Technology for Automation > Vacuum Components > Vacuum Suction Cups > Suction Cups for the Packaging Industry > Bellows Suction Cups SPB2f (2.5 Folds) > SPB2f 20 SI-55 G1/8-AG

### Bellows suction cup (round) for very uneven workpieces



Size: 20

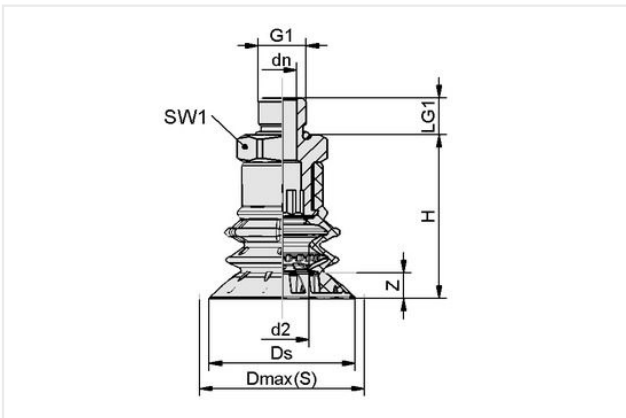
Suction cup material: Silicone SI

Material hardness [Shore A]: 55 Shore A

Thread G1: G1/8"-M

Number of folds: 2.5

### Design Data



Attribute	Value
d2	6 mm
dn	4.10 mm
Dmax(S)	22.50 mm
Ds	20 mm
G1	G1/8"-M
H	29.40 mm
LG1	7.50 mm
SW1	14 mm
Z (Stroke)	9.10 mm

### Technical Data

Attribute	Value
Suction force at -200 mbar	0.60 N
Suction force at -400 mbar	1.10 N
Suction force (-600mbar)	1.70 N
Volume	1.86 cm <sup>3</sup>
Size	20
Number of folds	2.50
Suction cup material	Silicone SI
Material hardness [Shore A]	55 Shore A

### Contact Schmalz

Schmalz Sp.z.o.o. | ul. Fabianowska 131/A1, 62-052 Komorniki, Poland | +48 61 628 67 70 | [schmalz@schmalz.pl](mailto:schmalz@schmalz.pl)

## Bellows suction cups (round)

SPB2f 20 SI-55 G1/8-AG

Part no.:10.01.06.04314

<https://www.schmalz.com/10.01.06.04314>

Weight	6.30 g
Product family	SPB2f

### Spare parts



#### SC 040 G1/8-AG

Part no.:10.01.06.02490

Connection geometry: 040

Connection: G1/8"-M

Length L1: 20.2 mm

Fitting length: 6 mm

Nominal diameter dn: 4.1 mm



#### SPB2f 20 SI-55 SC040

Part no.:10.01.06.04225

Size: 20

Suction cup material: Silicone SI

Material hardness [Shore A]: 55 Shore A

Material characteristics: FDA-compatible

Number of folds: 2.5