

## Bellows suction cups (round)

SPB2f 15 SI-55 G1/8-IG

Part no...:10.01.06.04262

<https://www.schmalz.com/10.01.06.04262>

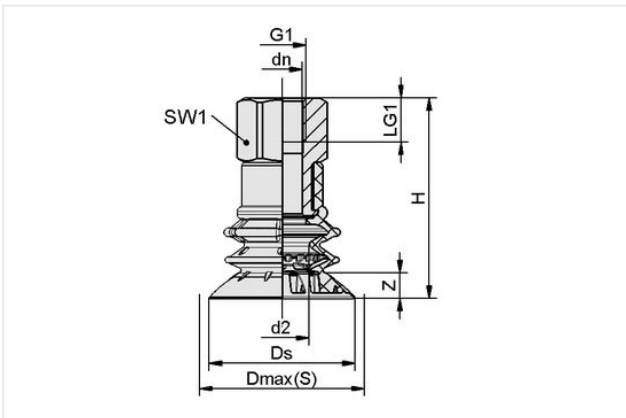
Home > Vacuum Technology for Automation > Vacuum Components > Vacuum Suction Cups > Suction Cups for the Packaging Industry > Bellows Suction Cups SPB2f (2.5 Folds) > SPB2f 15 SI-55 G1/8-IG

### Bellows suction cup (round) for very uneven workpieces



Size: 15
Suction cup material: Silicone SI
Material hardness [Shore A]: 55 Shore A
Thread G1: G1/8"-F
Number of folds: 2.5

### Design Data



Attribute	Value
d2	4 mm
dn	4.10 mm
Dmax(S)	17 mm
Ds	15 mm
G1	G1/8"-F
H	34.30 mm
LG1	8 mm
SW1	14 mm
Z (Stroke)	7.30 mm

### Technical Data

Attribute	Value
Suction force at -200 mbar	0.25 N
Suction force at -400 mbar	0.50 N
Suction force (-600mbar)	0.75 N
Volume	1.20 cm <sup>3</sup>
Size	15
Number of folds	2.50
Suction cup material	Silicone SI
Material hardness [Shore A]	55 Shore A

### Contact Schmalz

Schmalz Sp.z.o.o. | ul. Fabianowska 131/A1, 62-052 Komorniki, Poland | +48 61 628 67 70 | [schmalz@schmalz.pl](mailto:schmalz@schmalz.pl)

## Bellows suction cups (round)

SPB2f 15 SI-55 G1/8-IG

Part no.:10.01.06.04262

<https://www.schmalz.com/10.01.06.04262>

Weight	5.50 g
Product family	SPB2f

### Spare parts



#### SC 040 G1/8-IG

Part no.:10.01.06.02482

Connection geometry: 040

Connection: G1/8"-F

Length L1: 20.7 mm

Fitting length: 14 mm

Nominal diameter dn: 4.1 mm



#### SPB2f 15 SI-55 SC040

Part no.:10.01.06.04090

Size: 15

Suction cup material: Silicone SI

Material hardness [Shore A]: 55 Shore A

Material characteristics: FDA-compatible

Number of folds: 2.5