

## Bellows suction cup (round)

SPB2f 25 SI-55 SC040

Part no...:10.01.06.04226

<https://www.schmalz.com/10.01.06.04226>

Home > Vacuum Technology for Automation > Vacuum Components > Vacuum Suction Cups > Suction Cups for the Packaging Industry > SPB2f 25 SI-55 SC040

### Bellows suction cup (round) for very uneven workpieces



Size: 25

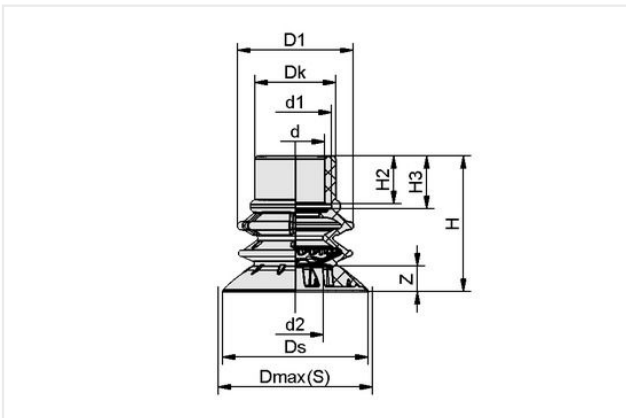
Suction cup material: Silicone SI

Material hardness [Shore A]: 55 Shore A

Material characteristics: FDA-compatible

Number of folds: 2.5

### Design Data



Attribute	Value
d	7.50 mm
d1	10.50 mm
d2	8 mm
D1	18.50 mm
Dk	14.50 mm
Dmax(S)	28 mm
Ds	25 mm
H	25.30 mm
H2	4.70 mm
H3	6.70 mm
Z (Stroke)	9.80 mm

### Technical Data

Attribute	Value
Suction force at -200 mbar	1 N
Suction force at -400 mbar	2 N
Suction force (-600mbar)	3 N
Volume	2.94 cm <sup>3</sup>
Size	25
Nipple family	SC 040

### Contact Schmalz

Schmalz Sp.z.o.o. | ul. Fabianowska 131/A1, 62-052 Komorniki, Poland | +48 61 628 67 70 | [schmalz@schmalz.pl](mailto:schmalz@schmalz.pl)

## Bellows suction cup (round)

SPB2f 25 SI-55 SC040

Part no...:10.01.06.04226

<https://www.schmalz.com/10.01.06.04226>

Number of folds	2.50
Suction cup material	Silicone SI
Material hardness [Shore A]	55 Shore A
Weight	2.80 g
Product family	SPB2f

### Accessories



#### SC 040 G1/8-AG

Part no...:10.01.06.02490

Connection geometry: 040

Connection: G1/8"-M

Length L1: 20.2 mm

Fitting length: 6 mm

Nominal diameter dn: 4.1 mm



#### SC 040 G1/8-IG

Part no...:10.01.06.02482

Connection geometry: 040

Connection: G1/8"-F

Length L1: 20.7 mm

Fitting length: 14 mm

Nominal diameter dn: 4.1 mm