

Bellows suction cup (round)

SPB2f 20 SI-55 SC040

Part no...:10.01.06.04225

<https://www.schmalz.com/10.01.06.04225>

Home > Vacuum Technology for Automation > Vacuum Components > Vacuum Suction Cups > Suction Cups for the Packaging Industry > SPB2f 20 SI-55 SC040

Bellows suction cup (round) for very uneven workpieces



Size: 20

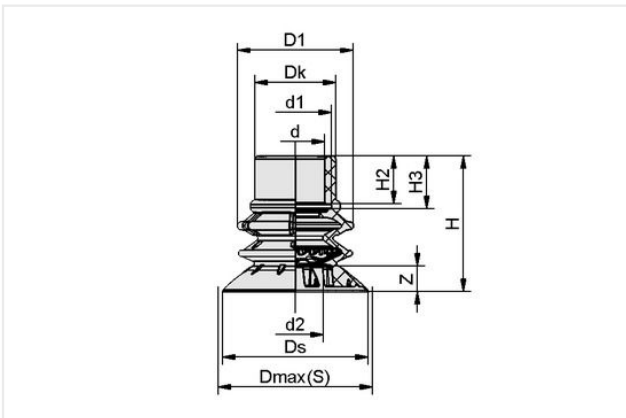
Suction cup material: Silicone SI

Material hardness [Shore A]: 55 Shore A

Material characteristics: FDA-compatible

Number of folds: 2.5

Design Data



Attribute	Value
d	7.50 mm
d1	10.50 mm
d2	6 mm
D1	15.70 mm
Dk	13.50 mm
Dmax(S)	22.50 mm
Ds	20 mm
H	23.40 mm
H2	4.70 mm
H3	6.70 mm
Z (Stroke)	9.10 mm

Technical Data

Attribute	Value
Suction force at -200 mbar	0.60 N
Suction force at -400 mbar	1.10 N
Suction force (-600mbar)	1.70 N
Volume	1.86 cm ³
Size	20
Nipple family	SC 040

Contact Schmalz

Schmalz Sp.z.o.o. | ul. Fabianowska 131/A1, 62-052 Komorniki, Poland | +48 61 628 67 70 | schmalz@schmalz.pl

Bellows suction cup (round)

SPB2f 20 SI-55 SC040

Part no...:10.01.06.04225

<https://www.schmalz.com/10.01.06.04225>

Number of folds	2.50
Suction cup material	Silicone SI
Material hardness [Shore A]	55 Shore A
Weight	2 g
Product family	SPB2f

Accessories



SC 040 G1/8-AG

Part no...:10.01.06.02490

Connection geometry: 040

Connection: G1/8"-M

Length L1: 20.2 mm

Fitting length: 6 mm

Nominal diameter dn: 4.1 mm



SC 040 G1/8-IG

Part no...:10.01.06.02482

Connection geometry: 040

Connection: G1/8"-F

Length L1: 20.7 mm

Fitting length: 14 mm

Nominal diameter dn: 4.1 mm

Bellows suction cup (round)

SPB2f 20 SI-55 SC040

Part no...:10.01.06.04225

<https://www.schmalz.com/10.01.06.04225>



SC 040 NPT1/8-AG

Part no...:10.01.06.02541

Connection geometry: 040

Connection: NPT1/8-M

Length L1: 20.9 mm

Fitting length: 6 mm

Nominal diameter dn: 4.1 mm



SC 040 NPT1/8-IG

Part no...:10.01.06.02542

Connection geometry: 040

Connection: NPT1/8-F

Length L1: 20.7 mm

Fitting length: 14 mm

Nominal diameter dn: 4.1 mm