

## Bellows suction cups SI-MD (round)

FSGA 33 SI-MD-55 G1/4-IG

Part no...:10.01.06.04211

<https://www.schmalz.com/10.01.06.04211>

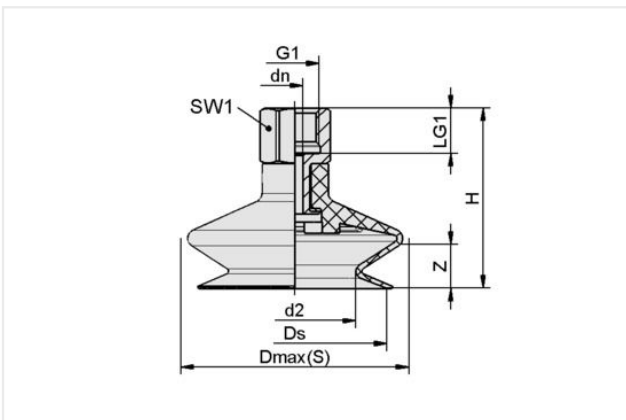
Home > Vacuum Technology for Automation > Vacuum Components > Vacuum Suction Cups > Suction Cups for the Packaging Industry > Bellows Suction Cups FSGA SI-MD (1.5 Folds) > FSGA 33 SI-MD-55 G1/4-IG

### Bellows suction cup (round) with optimal adaptation to uneven surfaces



Size: 33
Suction cup material: Silicone SI metal detectable
Material hardness [Shore A]: 55 Shore A
Material characteristics: FDA-compatible
Nipple material: Aluminum
Connection: G1/4"-F
Number of folds: 1.5
Vacuum connection: G1/4"-F

### Design Data



Attribute	Value
d2	17 mm
Dmax(S)	38 mm
dn	4.40 mm
Ds	30 mm
G1	G1/4"-F
H	42 mm
LG1	12 mm
SW1	17 mm
Z (Stroke)	9 mm

Note: Acceptable dimensional tolerances for elastomer parts concerning to DIN ISO 3302-1 M3

### Technical Data

Attribute	Value
Suction cup material	Silicone SI metal detectable
Material hardness [Shore A]	55 Shore A
Size	33
Number of folds	1.50
Connection	G1/4-IG
Curve radius (min) (convex)	40 mm
Volume	4.75 cm <sup>3</sup>

### Contact Schmalz

Schmalz Sp.z.o.o. | ul. Fabianowska 131/A1, 62-052 Komorniki, Poland | +48 61 628 67 70 | [schmalz@schmalz.pl](mailto:schmalz@schmalz.pl)

## Bellows suction cups SI-MD (round)

FSGA 33 SI-MD-55 G1/4-IG

Part no...:10.01.06.04211

<https://www.schmalz.com/10.01.06.04211>

Suction force (-600mbar)	13.60 N
Pull-off force	39.60 N
Hose diameter (empf.) d	6 mm
Weight	16 g
Product family	FSGA

Note: Suction force: The specified suction forces are theoretical values at a vacuum of -0.6 bar and with a dry, smooth and flat workpiece surface - they do not include a safety factor Pull-off force: The pull-off force of the versions made of natural rubber is reduced by about 40% Hose diameter: The recommended hose diameter refers to a hose length of approx. 2 m

### Accessories



#### SPI 32 PEEK

Part no...:10.01.06.03287

Size: 32

Material: Polyetheretherketon

### Spare parts



#### SA-NIP N018 G1/4-IG DN440

Part no...:10.01.06.01066

Nipple family: N 018

Thread G1: G1/4"-F

Length L1: 28.8 mm

Fitting length: 15 mm

Nominal diameter dn: 4.4 mm

Spanner size SW2: 5 mm

Material: Aluminum

## Bellows suction cups SI-MD (round)

FSGA 33 SI-MD-55 G1/4-IG

Part no...:10.01.06.04211

<https://www.schmalz.com/10.01.06.04211>



### FGA 33 SI-MD-55 N018

Part no...:10.01.06.04096

Size: 33

Suction cup material: Silicone SI metal detectable

Material hardness [Shore A]: 55 Shore A

Material characteristics: FDA-compatible

Number of folds: 1.5