

Bellows suction cups SI-MD (round)

FSGA 16 SI-MD-55 M5-AG

Part no...:10.01.06.04199

<https://www.schmalz.com/10.01.06.04199>

Home > Vacuum Technology for Automation > Vacuum Components > Vacuum Suction Cups > Suction Cups for the Packaging Industry > Bellows Suction Cups FSGA SI-MD (1.5 Folds) > FSGA 16 SI-MD-55 M5-AG

Bellows suction cup (round) with optimal adaptation to uneven surfaces



Size: 16

Suction cup material: Silicone SI metal detectable

Material hardness [Shore A]: 55 Shore A

Material characteristics: FDA-compatible

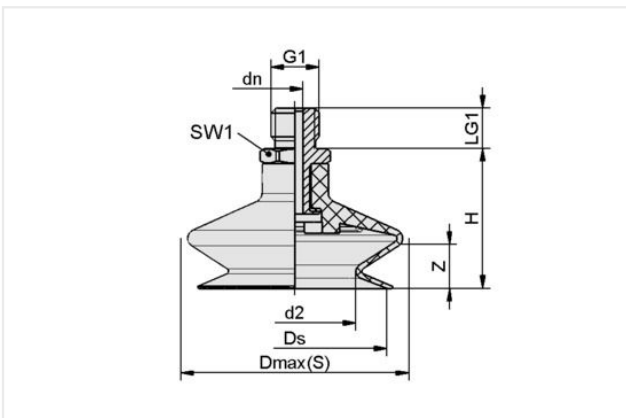
Nipple material: Aluminum

Connection: M5-M

Number of folds: 1.5

Vacuum connection: M5-M

Design Data



Attribute	Value
d2	8.40 mm
Dmax(S)	18.50 mm
dn	2.50 mm
Ds	15.60 mm
G1	M5-M
H	24.20 mm
LG1	5 mm
SW1	7 mm
Z (Stroke)	7 mm

Note: Acceptable dimensional tolerances for elastomer parts concerning to DIN ISO 3302-1 M3

Technical Data

Attribute	Value
Suction cup material	Silicone SI metal detectable
Material hardness [Shore A]	55 Shore A
Size	16
Number of folds	1.50
Connection	M5-AG
Curve radius (min) (convex)	20 mm
Volume	0.75 cm ³

Contact Schmalz

Schmalz Sp.z.o.o. | ul. Fabianowska 131/A1, 62-052 Komorniki, Poland | +48 61 628 67 70 | schmalz@schmalz.pl

Bellows suction cups SI-MD (round)

FSGA 16 SI-MD-55 M5-AG

Part no...:10.01.06.04199

<https://www.schmalz.com/10.01.06.04199>

Suction force (-600mbar)	2.30 N
Pull-off force	6.70 N
Hose diameter (empf.) d	2 mm
Weight	2.30 g
Product family	FSGA

Note: Suction force: The specified suction forces are theoretical values at a vacuum of -0.6 bar and with a dry, smooth and flat workpiece surface - they do not include a safety factor Pull-off force: The pull-off force of the versions made of natural rubber is reduced by about 40% Hose diameter: The recommended hose diameter refers to a hose length of approx. 2 m

Accessories



SPI 17 PEEK

Part no...:10.01.06.03283

Size: 17

Material: Polyetheretherketon

Spare parts



SA-NIP N016 M5-AG DN250

Part no...:10.01.06.00123

Nipple family: N 016

Thread G1: M5-M

Length L1: 16 mm

Fitting length: 5 mm

Nominal diameter dn: 2.5 mm

Material: Aluminum

Bellows suction cups SI-MD (round)

FSGA 16 SI-MD-55 M5-AG

Part no...:10.01.06.04199

<https://www.schmalz.com/10.01.06.04199>



FGA 16 SI-MD-55 N016

Part no...:10.01.06.04115

Size: 16

Suction cup material: Silicone SI metal detectable

Material hardness [Shore A]: 55 Shore A

Material characteristics: FDA-compatible

Number of folds: 1.5