

## Bellows suction cups SI-MD (round)

FSGA 11 SI-MD-55 G1/8-IG

Part no...:10.01.06.04195

<https://www.schmalz.com/10.01.06.04195>

Home > Vacuum Technology for Automation > Vacuum Components > Vacuum Suction Cups > Suction Cups for the Packaging Industry > Bellows Suction Cups FSGA SI-MD (1.5 Folds) > FSGA 11 SI-MD-55 G1/8-IG

### Bellows suction cup (round) with optimal adaptation to uneven surfaces



Size: 11

Suction cup material: Silicone SI metal detectable

Material hardness [Shore A]: 55 Shore A

Material characteristics: FDA-compatible

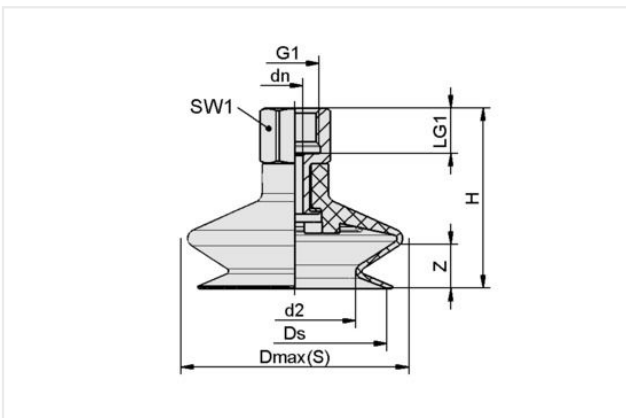
Nipple material: Aluminum

Connection: G1/8"-F

Number of folds: 1.5

Vacuum connection: G1/8"-F

### Design Data



Attribute	Value
d2	5.10 mm
Dmax(S)	13 mm
dn	3.50 mm
Ds	10.40 mm
G1	G1/8"-F
H	28 mm
LG1	8 mm
SW1	14 mm
Z (Stroke)	4 mm

Note: Acceptable dimensional tolerances for elastomer parts concerning to DIN ISO 3302-1 M3

### Technical Data

Attribute	Value
Suction cup material	Silicone SI metal detectable
Material hardness [Shore A]	55 Shore A
Size	11
Number of folds	1.50
Connection	G1/8-IG
Curve radius (min) (convex)	10 mm
Volume	0.23 cm <sup>3</sup>

### Contact Schmalz

Schmalz Sp.z.o.o. | ul. Fabianowska 131/A1, 62-052 Komorniki, Poland | +48 61 628 67 70 | [schmalz@schmalz.pl](mailto:schmalz@schmalz.pl)

## Bellows suction cups SI-MD (round)

FSGA 11 SI-MD-55 G1/8-IG

Part no...:10.01.06.04195

<https://www.schmalz.com/10.01.06.04195>

Suction force (-600mbar)	0.95 N
Pull-off force	3.80 N
Hose diameter (empf.) d	4 mm
Weight	5.10 g
Product family	FSGA

Note: Suction force: The specified suction forces are theoretical values at a vacuum of -0.6 bar and with a dry, smooth and flat workpiece surface - they do not include a safety factor Pull-off force: The pull-off force of the versions made of natural rubber is reduced by about 40% Hose diameter: The recommended hose diameter refers to a hose length of approx. 2 m

### Accessories



#### SPI 11 PEEK

Part no...:10.01.06.03281

Size: 11

Material: Polyetheretherketon

### Spare parts



#### SA-NIP N016 G1/8-IG DN350

Part no...:10.01.06.05731

Nipple family: N 016

Thread G1: G1/8"-F

Length L1: 18.5 mm

Fitting length: 12 mm

Nominal diameter dn: 3.5 mm

Material: Aluminum

## Bellows suction cups SI-MD (round)

FSGA 11 SI-MD-55 G1/8-IG

Part no...:10.01.06.04195

<https://www.schmalz.com/10.01.06.04195>



**FGA 11 SI-MD-55 N016**

Part no...:10.01.06.04151

Size: 11

Suction cup material: Silicone SI metal detectable

Material hardness [Shore A]: 55 Shore A