

## Bellows suction cups SI-HD (round)

FSGA 22 SI-HD-65 G1/8-IG

Part no.:10.01.06.04190

<https://www.schmalz.com/10.01.06.04190>

Home > Vacuum Technology for Automation > Vacuum Components > Vacuum Suction Cups > Suction Cups for the Packaging Industry > Bellows Suction Cups FSGA SI-HD (1.5 Folds) > FSGA 22 SI-HD-65 G1/8-IG

### Bellows suction cup (round) with optimal adaptation to uneven surfaces



Size: 22

Suction cup material: Silicone SI-HD

Material hardness [Shore A]: 65 Shore A

Material characteristics: FDA-compatible

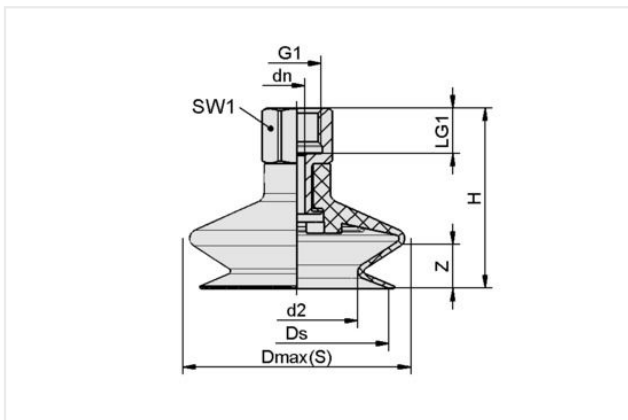
Nipple material: Aluminum

Connection: G1/8"-F

Number of folds: 1.5

Vacuum connection: G1/8"-F

### Design Data



Attribute	Value
d2	11.70 mm
Dmax(S)	25 mm
dn	3.50 mm
Ds	21.50 mm
G1	G1/8"-F
H	31 mm
LG1	8 mm
SW1	14 mm
Z (Stroke)	6 mm

Note: Acceptable dimensional tolerances for elastomer parts concerning to DIN ISO 3302-1 M3

### Technical Data

Attribute	Value
Suction cup material	Silicone SI-HD
Material hardness [Shore A]	65 Shore A
Size	22
Number of folds	1.50
Connection	G1/8-IG
Curve radius (min) (convex)	25 mm
Volume	1.40 cm <sup>3</sup>

### Contact Schmalz

Schmalz Sp.z.o.o. | ul. Fabianowska 131/A1, 62-052 Komorniki, Poland | +48 61 628 67 70 | [schmalz@schmalz.pl](mailto:schmalz@schmalz.pl)

## Bellows suction cups SI-HD (round)

FSGA 22 SI-HD-65 G1/8-IG

Part no...:10.01.06.04190

<https://www.schmalz.com/10.01.06.04190>

Suction force (-600mbar)	5.70 N
Pull-off force	15.20 N
Hose diameter (empf.) d	4 mm
Weight	6.20 g
Product family	FSGA

Note: Suction force: The specified suction forces are theoretical values at a vacuum of -0.6 bar and with a dry, smooth and flat workpiece surface - they do not include a safety factor Pull-off force: The pull-off force of the versions made of natural rubber is reduced by about 40% Hose diameter: The recommended hose diameter refers to a hose length of approx. 2 m

### Accessories



#### SPI 21 PEEK

Part no...:10.01.06.03285

Size: 21

Material: Polyetheretherketon

### Spare parts



#### SA-NIP N016 G1/8-IG DN350

Part no...:10.01.06.05731

Nipple family: N 016

Thread G1: G1/8"-F

Length L1: 18.5 mm

Fitting length: 12 mm

Nominal diameter dn: 3.5 mm

Material: Aluminum

## Bellows suction cups SI-HD (round)

FSGA 22 SI-HD-65 G1/8-IG

Part no...:10.01.06.04190

<https://www.schmalz.com/10.01.06.04190>



### FGA 22 SI-HD-65 N016

Part no...:10.01.06.03419

Size: 22

Suction cup material: Silicone SI-HD

Material hardness [Shore A]: 65 Shore A

Material characteristics: FDA-compatible

Number of folds: 1.5