

Bellows suction cups SI-HD (round)

FSGA 6 SI-HD-65 M5-IG

Part no...:10.01.06.04174

<https://www.schmalz.com/10.01.06.04174>

Home > Vacuum Technology for Automation > Vacuum Components > Vacuum Suction Cups > Suction Cups for the Packaging Industry > Bellows Suction Cups FSGA SI-HD (1.5 Folds) > FSGA 6 SI-HD-65 M5-IG

Bellows suction cup (round) with optimal adaptation to uneven surfaces



Size: 6

Suction cup material: Silicone SI-HD

Material hardness [Shore A]: 65 Shore A

Material characteristics: FDA-compatible

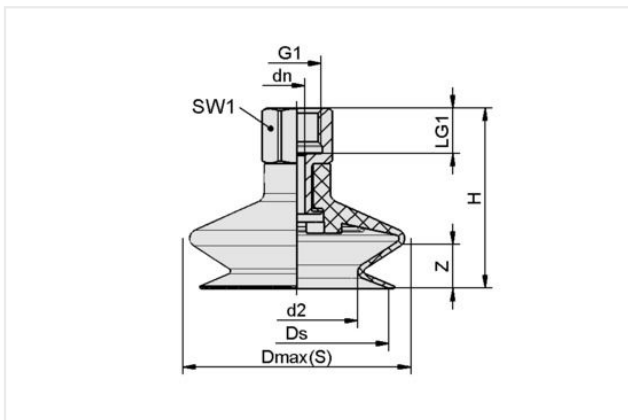
Nipple material: Aluminum

Connection: M5-F

Number of folds: 1.5

Vacuum connection: M5-F

Design Data



Attribute	Value
d2	3 mm
Dmax(S)	8 mm
dn	2 mm
Ds	5.70 mm
G1	M5-F
H	19 mm
LG1	5.50 mm
SW1	8 mm
Z (Stroke)	2 mm

Note: Acceptable dimensional tolerances for elastomer parts concerning to DIN ISO 3302-1 M3

Technical Data

Attribute	Value
Suction cup material	Silicone SI-HD
Material hardness [Shore A]	65 Shore A
Size	6
Number of folds	1.50
Connection	M5-IG
Curve radius (min) (convex)	2 mm
Volume	0.10 cm ³

Contact Schmalz

Schmalz Sp.z.o.o. | ul. Fabianowska 131/A1, 62-052 Komorniki, Poland | +48 61 628 67 70 | schmalz@schmalz.pl

Bellows suction cups SI-HD (round)

FSGA 6 SI-HD-65 M5-IG

Part no...:10.01.06.04174

<https://www.schmalz.com/10.01.06.04174>

Suction force (-600mbar)	0.40 N
Pull-off force	1.40 N
Hose diameter (empf.) d	4 mm
Weight	1.50 g
Product family	FSGA

Note: Suction force: The specified suction forces are theoretical values at a vacuum of -0.6 bar and with a dry, smooth and flat workpiece surface - they do not include a safety factor Pull-off force: The pull-off force of the versions made of natural rubber is reduced by about 40% Hose diameter: The recommended hose diameter refers to a hose length of approx. 2 m

Accessories



SPI 6 PEEK

Part no...:10.01.06.03279

Size: 6

Material: Polyetheretherketon

Spare parts



SA-NIP N004 M5-IG DN200

Part no...:10.01.01.03518

Thread G1: M5-F

Length L1: 14 mm

Fitting length: 10 mm

Material: Aluminum

Bellows suction cups SI-HD (round)

FSGA 6 SI-HD-65 M5-IG

Part no...:10.01.06.04174

<https://www.schmalz.com/10.01.06.04174>



FGA 6 SI-HD-65 N004

Part no...:10.01.06.03442

Size: 6

Suction cup material: Silicone SI-HD

Material hardness [Shore A]: 65 Shore A

Material characteristics: FDA-compatible

Number of folds: 1.5