

Bellows suction cups SI-HD (round)

FSG 14 SI-HD-65 M5-AG

Part no...:10.01.06.04163

<https://www.schmalz.com/10.01.06.04163>

Home > Vacuum Technology for Automation > Vacuum Components > Vacuum Suction Cups > Bellows Suction Cups (Round) > Bellows Suction Cups FSG (2.5 Folds) > FSG 14 SI-HD-65 M5-AG

Bellows suction cup (round) for very uneven workpieces



Size: 14

Suction cup material: Silicone SI-HD

Material hardness [Shore A]: 65 Shore A

Material characteristics: FDA-compatible

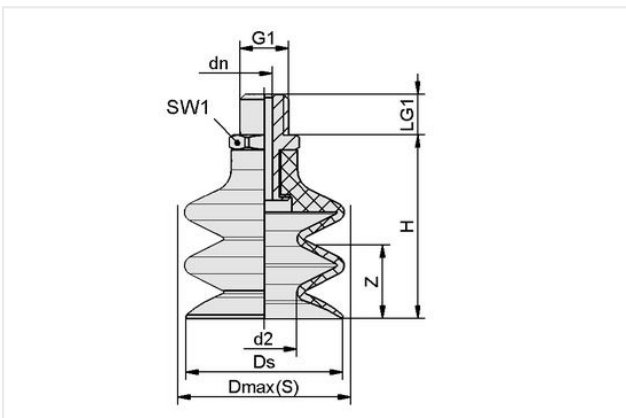
Nipple material: Aluminum

Connection: M5-M

Number of folds: 2.5

Vacuum connection: M5-M

Design Data



| Attribute | Value |
|------------|----------|
| d2 | 5.40 mm |
| dn | 2.50 mm |
| Dmax(S) | 15.50 mm |
| Ds | 14.50 mm |
| G1 | M5-M |
| H | 27.80 mm |
| LG1 | 5 mm |
| SW1 | 7 mm |
| Z (Stroke) | 9 mm |

Note: Acceptable dimensional tolerances for elastomer parts concerning to DIN ISO 3302-1 M3

Technical Data

| Attribute | Value |
|-----------------------------|----------------------|
| Suction cup material | Silicone SI-HD |
| Material hardness [Shore A] | 65 Shore A |
| Size | 14 |
| Number of folds | 2.50 |
| Connection | M5-AG |
| Curve radius (min) (convex) | 15 mm |
| Volume | 0.80 cm ³ |

Contact Schmalz

Schmalz Sp.z.o.o. | ul. Fabianowska 131/A1, 62-052 Komorniki, Poland | +48 61 628 67 70 | schmalz@schmalz.pl

Bellows suction cups SI-HD (round)

FSG 14 SI-HD-65 M5-AG

Part no...:10.01.06.04163

<https://www.schmalz.com/10.01.06.04163>

| | |
|--------------------------|--------|
| Suction force (-600mbar) | 1.37 N |
| Pull-off force | 5.70 N |
| Hose diameter (empf.) d | 2 mm |
| Weight | 2.60 g |
| Product family | FSG |

Note: Suction force: The specified suction forces are theoretical values at a vacuum of -0.6 bar and with a dry, smooth and flat workpiece surface - they do not include a safety factor Pull-off force: The pull-off force of the versions made of natural rubber is reduced by about 40% Hose diameter: The recommended hose diameter refers to a hose length of approx. 2 m

Spare parts



SA-NIP N016 M5-AG DN250

Part no...:10.01.06.00123

Nipple family: N 016

Thread G1: M5-M

Length L1: 16 mm

Fitting length: 5 mm

Nominal diameter dn: 2.5 mm

Material: Aluminum



FG 14 SI-HD-65 N016

Part no...:10.01.06.04055

Size: 14

Suction cup material: Silicone SI-HD

Material hardness [Shore A]: 65 Shore A