

Bellows suction cups (round)

FSGA 4 NBR-ESD-55 M3-AG

Part no.:10.01.06.04147

<https://www.schmalz.com/10.01.06.04147>

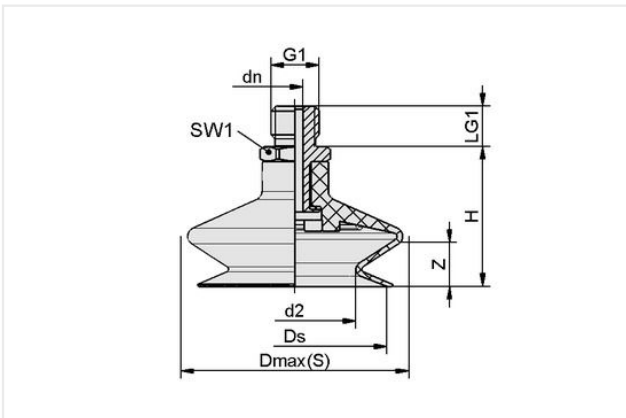
Home > Vacuum Technology for Automation > Vacuum Components > Vacuum Suction Cups > Suction Cups for the Electronics Industry > Bellows Suction Cups FSGA (1.5 Folds) > FSGA 4 NBR-ESD-55 M3-AG

Bellows suction cup (round) with optimal adaptation to uneven surfaces



Size: 4
Suction cup material: Nitrile rubber NBR-ESD
Material hardness [Shore A]: 55 Shore A
Nipple material: Aluminum
Connection: M3-M
Number of folds: 1.5
Vacuum connection: M3-M

Design Data



Attribute	Value
d2	2.50 mm
Dmax(S)	5 mm
dn	1 mm
Ds	4 mm
G1	M3-M
H	7.50 mm
LG1	3 mm
SW1	5 mm
Z (Stroke)	1.50 mm

Note: Acceptable dimensional tolerances for elastomer parts concerning to DIN ISO 3302-1 M3

Technical Data

Attribute	Value
Suction cup material	Nitrile rubber NBR-ESD
Material hardness [Shore A]	55 Shore A
Size	4
Number of folds	1.50
Connection	M3-AG
Curve radius (min) (convex)	1.50 mm
Volume	0.04 cm ³

Contact Schmalz

Schmalz Sp.z.o.o. | ul. Fabianowska 131/A1, 62-052 Komorniki, Poland | +48 61 628 67 70 | schmalz@schmalz.pl

Bellows suction cups (round)

FSGA 4 NBR-ESD-55 M3-AG

Part no...:10.01.06.04147

<https://www.schmalz.com/10.01.06.04147>

Suction force (-600mbar)	0.29 N
Pull-off force	0.50 N
Hose diameter (empf.) d	2.70 mm
Product family	FSGA

Note: Suction force: The specified suction forces are theoretical values at a vacuum of -0.6 bar and with a dry, smooth and flat workpiece surface - they do not include a safety factor Pull-off force: The pull-off force of the versions made of natural rubber is reduced by about 40% Hose diameter: The recommended hose diameter refers to a hose length of approx. 2 m

Spare parts



SA-NIP N003 M3-AG DN100

Part no...:10.01.01.00316

Thread G1: M3-M

Length L1: 7.5 mm

Fitting length: 2 mm

Material: Aluminum



FGA 4 NBR-ESD-55 N003

Part no...:10.01.06.04095

Size: 4

Suction cup material: Nitrile rubber NBR-ESD

Material hardness [Shore A]: 55 Shore A

Number of folds: 1.5