

## Bellows suction cup (round)

SPB4 40 SI-55 G1/8-IG

Part no...:10.01.06.03914

<https://www.schmalz.com/10.01.06.03914>

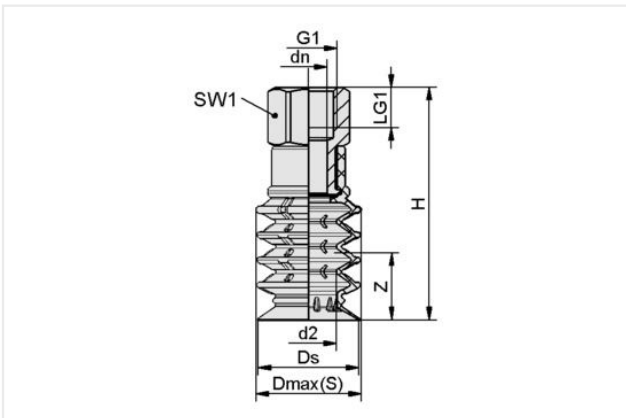
Home > Vacuum Technology for Automation > Vacuum Components > Vacuum Suction Cups > Suction Cups for the Packaging Industry > Bellows Suction Cups SPB4 (4.5 Folds) > SPB4 40 SI-55 G1/8-IG

### Bellows suction cup (round) for very uneven workpieces



|   |
|---|
| Size: 40                                |
| Suction cup material: Silicone SI       |
| Material hardness [Shore A]: 55 Shore A |
| Thread G1: G1/8"-F                      |
| Number of folds: 4.5                    |

### Design Data



| Attribute  | Value    |
|------------|----------|
| d2         | 23 mm    |
| dn         | 8.60 mm  |
| Dmax(S)    | 41.50 mm |
| Ds         | 40.50 mm |
| G1         | G1/8"-F  |
| H          | 87.10 mm |
| LG1        | 12 mm    |
| SW1        | 27 mm    |
| Z (Stroke) | 27 mm    |

### Technical Data

| Attribute                   | Value                 |
|-----------------------------|-----------------------|
| Suction force (-600mbar)    | 25 N                  |
| Pull-off force              | 39 N                  |
| Volume                      | 35.74 cm <sup>3</sup> |
| Hose diameter (empf.) d     | 12 mm                 |
| Number of folds             | 4.50                  |
| Suction cup material        | Silicone SI           |
| Material hardness [Shore A] | 55 Shore A            |
| Size                        | 40                    |

### Contact Schmalz

Schmalz Sp.z.o.o. | ul. Fabianowska 131/A1, 62-052 Komorniki, Poland | +48 61 628 67 70 | [schmalz@schmalz.pl](mailto:schmalz@schmalz.pl)

## Bellows suction cup (round)

SPB4 40 SI-55 G1/8-IG

Part no...:10.01.06.03914

<https://www.schmalz.com/10.01.06.03914>

|                |         |
|----------------|---------|
| Weight         | 65.70 g |
| Product family | SPB4    |

### Accessories



#### SIEB 19.5x1 MS-A2 103

Part no...:10.07.01.00321

External diameter D: 19.5 mm

Length L: 1 mm

Material: Brass / Stainless steel

Filter pore size: 103 µm



#### SSB 20-32 ST-VZ

Part no...:10.07.10.00003

Clamping range: 20.0 ... 32.0 mm

Material: Steel

Surface: galvanised



#### SPI 32 PE SPB4-40

Part no...:10.01.06.02856

Size: 32

Material: Polyethylene

Use: SPB4-40

## Bellows suction cup (round)

SPB4 40 SI-55 G1/8-IG

Part no...:10.01.06.03914

<https://www.schmalz.com/10.01.06.03914>

### Spare parts



#### SC 090 G1/8-IG

Part no...:10.01.06.03272

Connection geometry: 090

Vacuum connection: G1/8"-F

Length L1: 37.5 mm

Fitting length: 21.5 mm

Nominal diameter dn: 8.6 mm



#### SPB4 40 SI-55 SC090

Part no...:10.01.06.02590

Size: 40

Suction cup material: Silicone SI

Material hardness [Shore A]: 55 Shore A

Number of folds: 4.5