

Bellows suction cup (round)

SPB1 80 ED-65 G3/8-AG

Part no...:10.01.06.03911

<https://www.schmalz.com/10.01.06.03911>

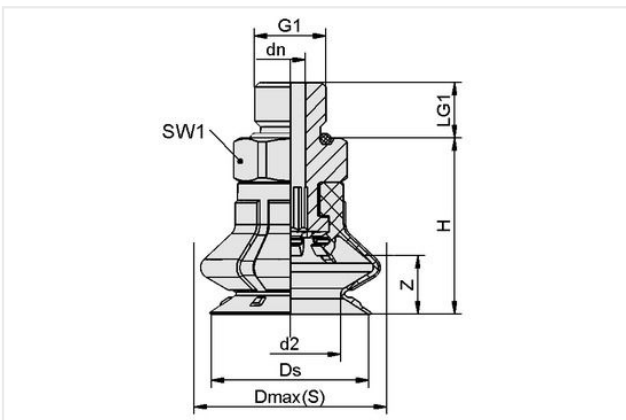
Home > Vacuum Technology for Automation > Vacuum Components > Vacuum Suction Cups > Suction Cups for the Packaging Industry > Bellows Suction Cups SPB1 (1.5 Folds) > SPB1 80 ED-65 G3/8-AG

Bellows suction cup (round) for very uneven workpieces



Size: 80
Suction cup material: Elastodur
Material hardness [Shore A]: 65 Shore A
Thread G1: G3/8"-M
Number of folds: 1.5

Design Data



Attribute	Value
d2	56 mm
dn	6.10 mm
Dmax(S)	88 mm
Ds	81.40 mm
G1	G3/8"-M
H	53.90 mm
LG1	10 mm
SW1	22 mm
Z (Stroke)	23.50 mm

Technical Data

Attribute	Value
Suction force (-600mbar)	166 N
Pull-off force	200 N
Lateral force	59 N
Volume	98.36 cm ³
Curve radius (min) (convex)	150 mm
Hose diameter (empf.) d	6 mm
Size	80
Number of folds	1.50

Contact Schmalz

Schmalz Sp.z.o.o. | ul. Fabianowska 131/A1, 62-052 Komorniki, Poland | +48 61 628 67 70 | schmalz@schmalz.pl



Bellows suction cup (round)

SPB1 80 ED-65 G3/8-AG

Part no...:10.01.06.03911

<https://www.schmalz.com/10.01.06.03911>

Suction cup material	Elastodur
Material hardness [Shore A]	65 Shore A
Product family	SPB1

Contact Schmalz

Schmalz Sp.z.o.o. | ul. Fabianowska 131/A1, 62-052 Komorniki, Poland | +48 61 628 67 70 | schmalz@schmalz.pl