

Bellows suction pad (oval)

SPOB1f 80x35 SI-55 G1/4-IG

Part no...:10.01.06.03739

<https://www.schmalz.com/10.01.06.03739>

Home > Vacuum Technology for Automation > Vacuum Components > Vacuum Suction Cups > Suction Cups for the Packaging Industry > Bellows Suction Cups SPOB1f (Oval, 1.5 Folds) > SPOB1f 80x35 SI-55 G1/4-IG

Bellows suction cup (oval) for high dynamic on curved, oily surfaced workpieces



Dimensions (LxB): 80 x 35

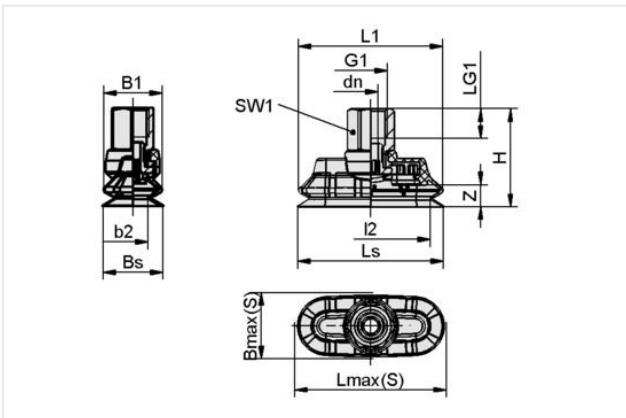
Suction cup material: Silicone SI

Material hardness [Shore A]: 55 Shore A

Thread G1: G1/4"-F

Number of folds: 1.5

Design Data



Attribute	Value
b2	21 mm
B1	35 mm
Bmax(S)	38 mm
Bs	34.50 mm
dn	6.10 mm
G1	G1/4"-F
H	44.20 mm
L2	66 mm
L1	80 mm
LG1	12 mm
Lmax(S)	83 mm
Ls	79.50 mm
SW1	17 mm
Z (Stroke)	11 mm

Technical Data

Attribute	Value
Suction force at -200 mbar	24.90 N
Suction force at -400 mbar	49.80 N
Suction force (-600mbar)	74.70 N
Volume	26.12 cm ³

Contact Schmalz

Schmalz Sp.z.o.o. | ul. Fabianowska 131/A1, 62-052 Komorniki, Poland | +48 61 628 67 70 | schmalz@schmalz.pl

Bellows suction pad (oval)

SPOB1f 80x35 SI-55 G1/4-IG

Part no.:10.01.06.03739

<https://www.schmalz.com/10.01.06.03739>

Workpiece width (min)	30 mm
Hose diameter (empf.) d	8 mm
Dimensions (LxB)	80 x 35
Number of folds	1.50
Suction cup material	Silicone SI
Material hardness [Shore A]	55 Shore A
Weight	26.20 g
Product family	SPOB1f

Spare parts



SC 050-AR G1/4-IG MOD

Part no.:10.01.06.03742

Connection geometry: 050-AR

Thread G1: G1/4"-F

Length L1: 26.5 mm

Fitting length: 17.2 mm

Nominal diameter dn: 6.1 mm



SPOB1f 80x35 SI-55 SC050-AR

Part no.:10.01.06.03627

Dimensions (LxB): 80 x 35

Suction cup material: Silicone SI

Material hardness [Shore A]: 55 Shore A

Number of folds: 1.5