

Bellows suction pad (oval)

SPOB1f 60x25 SI-55 G1/4-IG

Part no...:10.01.06.03737

<https://www.schmalz.com/10.01.06.03737>

Home > Vacuum Technology for Automation > Vacuum Components > Vacuum Suction Cups > Suction Cups for the Packaging Industry > Bellows Suction Cups SPOB1f (Oval, 1.5 Folds) > SPOB1f 60x25 SI-55 G1/4-IG

Bellows suction cup (oval) for high dynamic on curved, oily surfaced workpieces



Dimensions (LxB): 60 x 25

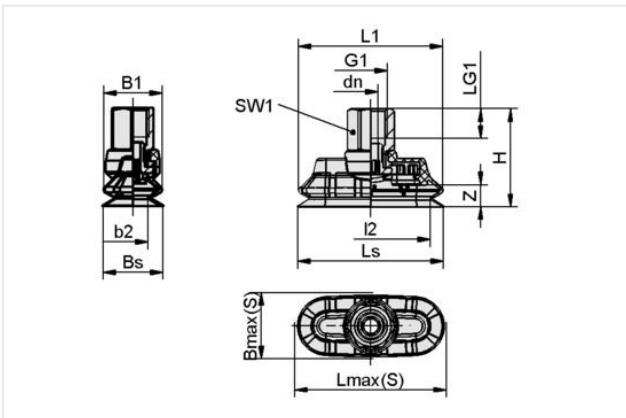
Suction cup material: Silicone SI

Material hardness [Shore A]: 55 Shore A

Thread G1: G1/4"-F

Number of folds: 1.5

Design Data



Attribute	Value
b2	13.80 mm
B1	25 mm
Bmax(S)	27 mm
Bs	24.50 mm
dn	6.10 mm
G1	G1/4"-F
H	40.20 mm
L2	48.80 mm
L1	60 mm
LG1	12 mm
Lmax(S)	62 mm
Ls	59.50 mm
SW1	17 mm
Z (Stroke)	9 mm

Technical Data

Attribute	Value
Suction force at -200 mbar	12.20 N
Suction force at -400 mbar	24.40 N
Suction force (-600mbar)	36.60 N
Volume	11.54 cm ³

Contact Schmalz

Schmalz Sp.z.o.o. | ul. Fabianowska 131/A1, 62-052 Komorniki, Poland | +48 61 628 67 70 | schmalz@schmalz.pl

Bellows suction pad (oval)

SPOB1f 60x25 SI-55 G1/4-IG

Part no.:10.01.06.03737

<https://www.schmalz.com/10.01.06.03737>

Workpiece width (min)	20 mm
Hose diameter (empf.) d	8 mm
Dimensions (LxB)	60 x 25
Number of folds	1.50
Suction cup material	Silicone SI
Material hardness [Shore A]	55 Shore A
Weight	20.30 g
Product family	SPOB1f

Spare parts



SC 050-AR G1/4-IG MOD

Part no.:10.01.06.03742

Connection geometry: 050-AR

Thread G1: G1/4"-F

Length L1: 26.5 mm

Fitting length: 17.2 mm

Nominal diameter dn: 6.1 mm



SPOB1f 60x25 SI-55 SC050-AR

Part no.:10.01.06.03626

Dimensions (LxB): 60 x 25

Suction cup material: Silicone SI

Material hardness [Shore A]: 55 Shore A

Number of folds: 1.5