

Bellows suction pad (oval)

SPOB1f 35x15 SI-55 G1/8-AG

Part no...:10.01.06.03736

<https://www.schmalz.com/10.01.06.03736>

Home > Vacuum Technology for Automation > Vacuum Components > Vacuum Suction Cups > Suction Cups for the Packaging Industry > Bellows Suction Cups SPOB1f (Oval, 1.5 Folds) > SPOB1f 35x15 SI-55 G1/8-AG

Bellows suction cup (oval) for high dynamic on curved, oily surfaced workpieces



Dimensions (LxB): 35 x 15

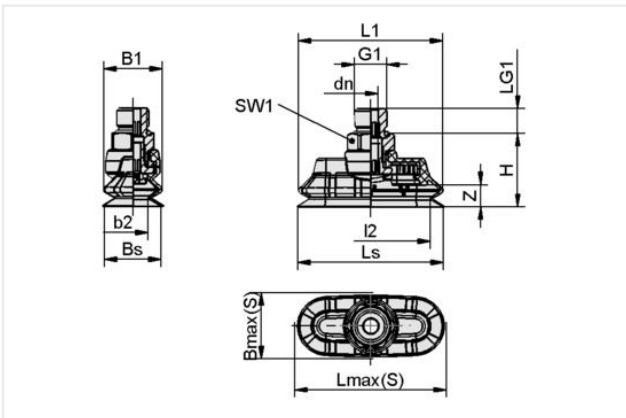
Suction cup material: Silicone SI

Material hardness [Shore A]: 55 Shore A

Thread G1: G1/8"-M

Number of folds: 1.5

Design Data



Attribute	Value
b2	8 mm
B1	15 mm
Bmax(S)	17 mm
Bs	14.60 mm
dn	4.10 mm
G1	G1/8"-M
H	19 mm
L2	28 mm
L1	35 mm
LG1	7.50 mm
Lmax(S)	37 mm
Ls	34.60 mm
SW1	14 mm
Z (Stroke)	4 mm

Technical Data

Attribute	Value
Suction force at -200 mbar	4.20 N
Suction force at -400 mbar	8.40 N
Suction force (-600mbar)	12.60 N
Volume	2.14 cm ³

Contact Schmalz

Schmalz Sp.z.o.o. | ul. Fabianowska 131/A1, 62-052 Komorniki, Poland | +48 61 628 67 70 | schmalz@schmalz.pl

Bellows suction pad (oval)

SPOB1f 35x15 SI-55 G1/8-AG

Part no.:10.01.06.03736

<https://www.schmalz.com/10.01.06.03736>

Workpiece width (min)	10 mm
Hose diameter (empf.) d	6 mm
Dimensions (LxB)	35 x 15
Number of folds	1.50
Suction cup material	Silicone SI
Material hardness [Shore A]	55 Shore A
Weight	6.90 g
Product family	SPOB1f

Spare parts



SC 040-AR G1/8-AG MOD

Part no.:10.01.06.02495

Connection geometry: 040-AR

Vacuum connection: G1/8"-M

Length L1: 20.3 mm

Fitting length: 6 mm



SPOB1f 35x15 SI-55 SC040-AR

Part no.:10.01.06.03625

Dimensions (LxB): 35 x 15

Suction cup material: Silicone SI

Material hardness [Shore A]: 55 Shore A

Number of folds: 1.5