

## Bellows suction cups (round)

FSG 3 NBR-CO-55 M5-AG

Part no...:10.01.06.03719

<https://www.schmalz.com/10.01.06.03719>

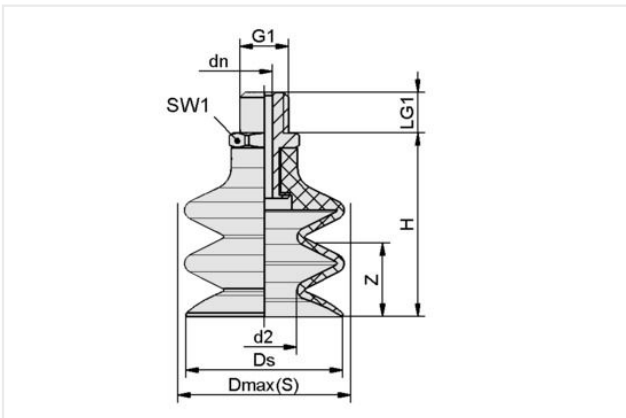
Home > Vacuum Technology for Automation > Vacuum Components > Vacuum Suction Cups > Bellows Suction Cups (Round) > Bellows Suction Cups FSG (2.5 Folds) > FSG 3 NBR-CO-55 M5-AG

### Bellows suction cup (round) for very uneven workpieces



|   |
|---|
| Size: 3   |
| Suction cup material: Nitrile rubber NBR-conductive |
| Material hardness [Shore A]: 55 Shore A             |
| Nipple material: Aluminum                           |
| Connection: M5-M                                    |
| Number of folds: 2.5                                |
| Vacuum connection: M5-M                             |

### Design Data



| Attribute  | Value    |
|------------|----------|
| d2         | 1.80 mm  |
| dn         | 1 mm     |
| Dmax(S)    | 4 mm     |
| Ds         | 3 mm     |
| G1         | M5-M     |
| H          | 10.20 mm |
| LG1        | 4.50 mm  |
| SW1        | 7 mm     |
| Z (Stroke) | 1.10 mm  |

Note: Acceptable dimensional tolerances for elastomer parts concerning to DIN ISO 3302-1 M3

### Technical Data

| Attribute                   | Value                         |
|-----------------------------|-------------------------------|
| Suction cup material        | Nitrile rubber NBR-conductive |
| Material hardness [Shore A] | 55 Shore A                    |
| Size                        | 3                             |
| Number of folds             | 2.50                          |
| Connection                  | M5-AG                         |
| Curve radius (min) (convex) | 4 mm                          |
| Volume                      | 0.02 cm <sup>3</sup>          |

### Contact Schmalz

Schmalz Sp.z.o.o. | ul. Fabianowska 131/A1, 62-052 Komorniki, Poland | +48 61 628 67 70 | [schmalz@schmalz.pl](mailto:schmalz@schmalz.pl)

## Bellows suction cups (round)

FSG 3 NBR-CO-55 M5-AG

Part no...:10.01.06.03719

<https://www.schmalz.com/10.01.06.03719>

|                          |        |
|--------------------------|--------|
| Suction force (-600mbar) | 0.15 N |
| Pull-off force           | 0.40 N |
| Hose diameter (empf.) d  | 2 mm   |
| Weight                   | 0.70 g |
| Product family           | FSG    |

Note: Suction force: The specified suction forces are theoretical values at a vacuum of -0.6 bar and with a dry, smooth and flat workpiece surface - they do not include a safety factor Pull-off force: The pull-off force of the versions made of natural rubber is reduced by about 40% Hose diameter: The recommended hose diameter refers to a hose length of approx. 2 m

### Spare parts



#### SA-NIP N055 M5-AG DN100

Part no...:10.01.01.13084

Thread G1: M5-M

Fitting length: 3.5 mm

Material: Aluminum



#### FG 3 NBR-CO-55 N055

Part no...:10.01.06.03706

Size: 3

Suction cup material: Nitrile rubber NBR-conductive

Material hardness [Shore A]: 55 Shore A

Number of folds: 2.5