

Bellows suction cups (round)

FSG 3 SI-CO-55 M3-AG

Part no...:10.01.06.03715

<https://www.schmalz.com/10.01.06.03715>

Home > Vacuum Technology for Automation > Vacuum Components > Vacuum Suction Cups > Bellows Suction Cups (Round) > Bellows Suction Cups FSG (2.5 Folds) > FSG 3 SI-CO-55 M3-AG

Bellows suction cup (round) for very uneven workpieces



Size: 3

Suction cup material: Silicone SI-conductive

Material hardness [Shore A]: 55 Shore A

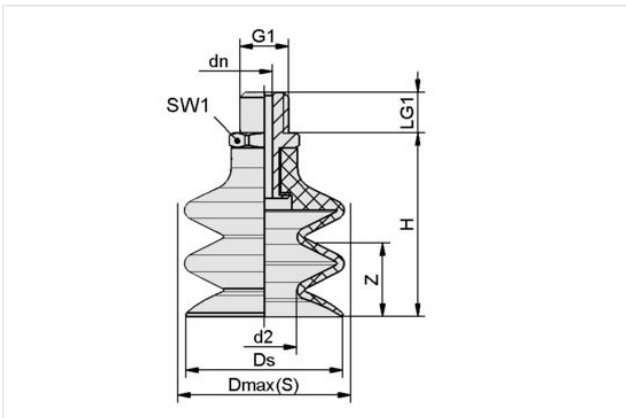
Nipple material: Aluminum

Connection: M3-M

Number of folds: 2.5

Vacuum connection: M3-M

Design Data



Attribute	Value
d2	1.80 mm
dn	1 mm
Dmax(S)	4 mm
Ds	3 mm
G1	M3-M
H	8.70 mm
LG1	3 mm
SW1	5 mm
Z (Stroke)	1.10 mm

Note: Acceptable dimensional tolerances for elastomer parts concerning to DIN ISO 3302-1 M3

Technical Data

Attribute	Value
Suction cup material	Silicone SI-conductive
Material hardness [Shore A]	55 Shore A
Size	3
Number of folds	2.50
Connection	M3-AG
Curve radius (min) (convex)	4 mm
Volume	0.02 cm ³

Contact Schmalz

Schmalz Sp.z.o.o. | ul. Fabianowska 131/A1, 62-052 Komorniki, Poland | +48 61 628 67 70 | schmalz@schmalz.pl

Bellows suction cups (round)

FSG 3 SI-CO-55 M3-AG

Part no...:10.01.06.03715

<https://www.schmalz.com/10.01.06.03715>

Suction force (-600mbar)	0.15 N
Pull-off force	0.40 N
Hose diameter (empf.) d	2 mm
Weight	0.30 g
Product family	FSG

Note: Suction force: The specified suction forces are theoretical values at a vacuum of -0.6 bar and with a dry, smooth and flat workpiece surface - they do not include a safety factor Pull-off force: The pull-off force of the versions made of natural rubber is reduced by about 40% Hose diameter: The recommended hose diameter refers to a hose length of approx. 2 m

Spare parts



SA-NIP N055 M3-AG DN100

Part no...:10.01.01.00313

Thread G1: M3-M

Fitting length: 2 mm

Material: Aluminum



FG 3 SI-CO-55 N055

Part no...:10.01.06.03707

Size: 3

Suction cup material: Silicone SI-conductive

Material hardness [Shore A]: 55 Shore A

Number of folds: 2.5