

Bellows suction cups (round)

SPB2f 30 SI-55 G3/8-AG

Part no...:10.01.06.03702

<https://www.schmalz.com/10.01.06.03702>

Home > Vacuum Technology for Automation > Vacuum Components > Vacuum Suction Cups > Suction Cups for the Packaging Industry > Bellows Suction Cups SPB2f (2.5 Folds) > SPB2f 30 SI-55 G3/8-AG

Bellows suction cup (round) for very uneven workpieces



Size: 30

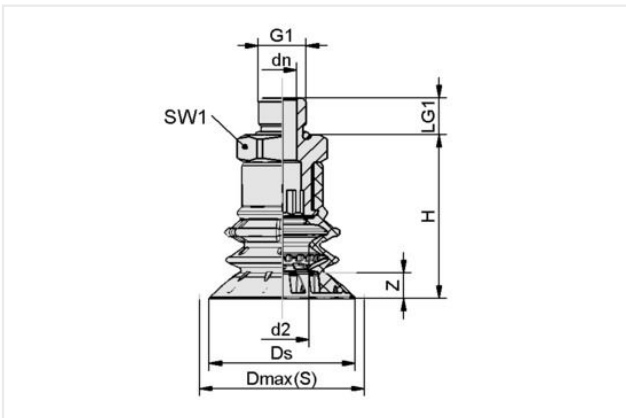
Suction cup material: Silicone SI

Material hardness [Shore A]: 55 Shore A

Thread G1: G3/8"-M

Number of folds: 2.5

Design Data



Attribute	Value
d2	7.20 mm
dn	10.30 mm
Dmax(S)	32 mm
Ds	30 mm
G1	G3/8"-M
H	39.80 mm
LG1	10 mm
SW1	22 mm
Z (Stroke)	5 mm

Technical Data

Attribute	Value
Suction force at -200 mbar	4.30 N
Suction force at -400 mbar	8.50 N
Suction force (-600mbar)	12.80 N
Volume	7.18 cm ³
Hose diameter (empf.) d	9 mm
Size	30
Number of folds	2.50
Suction cup material	Silicone SI

Contact Schmalz

Schmalz Sp.z.o.o. | ul. Fabianowska 131/A1, 62-052 Komorniki, Poland | +48 61 628 67 70 | schmalz@schmalz.pl

Bellows suction cups (round)

SPB2f 30 SI-55 G3/8-AG

Part no...:10.01.06.03702

<https://www.schmalz.com/10.01.06.03702>

Material hardness [Shore A]	55 Shore A
Weight	20.90 g
Product family	SPB2f

Accessories



SIEB 17x0.8 MS-A2 103 0.103/0.07

Part no...:10.07.01.00320

External diameter D: 17 mm

Length L: 0.8 mm

Material: Brass / Stainless steel

Filter pore size: 103 µm



SSB 16-27 ST-VZ

Part no...:10.07.10.00002

Clamping range: 16.0 ... 27.0 mm

Material: Steel

Surface: galvanised

Spare parts

Contact Schmalz

Schmalz Sp.z.o.o. | ul. Fabianowska 131/A1, 62-052 Komorniki, Poland | +48 61 628 67 70 | schmalz@schmalz.pl

Bellows suction cups (round)

SPB2f 30 SI-55 G3/8-AG

Part no...:10.01.06.03702

<https://www.schmalz.com/10.01.06.03702>



SC 080 G3/8-AG

Part no...:10.01.06.02593

Connection geometry: 080

Vacuum connection: G3/8"-M

Length L1: 32 mm

Fitting length: 7.5 mm

Nominal diameter dn: 10.3 mm



SPB2f 30 SI-55 SC080

Part no...:10.01.06.03643

Size: 30

Suction cup material: Silicone SI

Material hardness [Shore A]: 55 Shore A

Material characteristics: FDA-compatible

Number of folds: 2.5