

Bellows suction cups (round)

SPB2f 50 SI-55 G1/8-AG

Part no...:10.01.06.03652

<https://www.schmalz.com/10.01.06.03652>

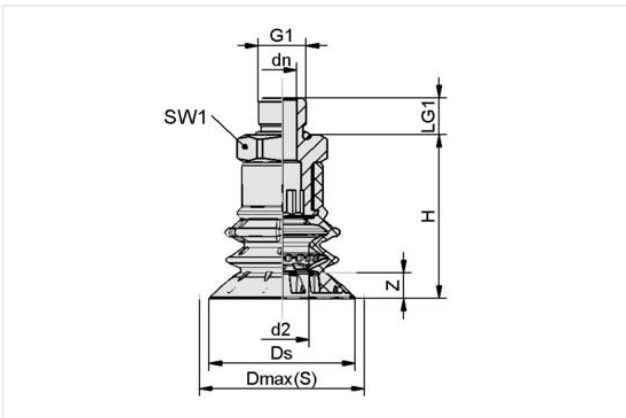
Home > Vacuum Technology for Automation > Vacuum Components > Vacuum Suction Cups > Suction Cups for the Packaging Industry > Bellows Suction Cups SPB2f (2.5 Folds) > SPB2f 50 SI-55 G1/8-AG

Bellows suction cup (round) for very uneven workpieces



| |
|---|
| Size: 50 |
| Suction cup material: Silicone SI |
| Material hardness [Shore A]: 55 Shore A |
| Thread G1: G1/8"-M |
| Number of folds: 2.5 |

Design Data



| Attribute | Value |
|------------|----------|
| d2 | 21 mm |
| dn | 4 mm |
| Dmax(S) | 52 mm |
| Ds | 49.70 mm |
| G1 | G1/8"-M |
| H | 53.10 mm |
| LG1 | 7.50 mm |
| SW1 | 27 mm |
| Z (Stroke) | 9 mm |

Technical Data

| Attribute | Value |
|----------------------------|-----------------------|
| Suction force at -200 mbar | 13.70 N |
| Suction force at -400 mbar | 27.30 N |
| Suction force (-600mbar) | 41 N |
| Volume | 26.45 cm ³ |
| Hose diameter (empf.) d | 12 mm |
| Size | 50 |
| Number of folds | 2.50 |
| Suction cup material | Silicone SI |

Contact Schmalz

Schmalz Sp.z.o.o. | ul. Fabianowska 131/A1, 62-052 Komorniki, Poland | +48 61 628 67 70 | schmalz@schmalz.pl

Bellows suction cups (round)

SPB2f 50 SI-55 G1/8-AG

Part no...:10.01.06.03652

<https://www.schmalz.com/10.01.06.03652>

| | |
|-----------------------------|------------|
| Material hardness [Shore A] | 55 Shore A |
| Weight | 44.60 g |
| Product family | SPB2f |

Accessories



SIEB 19.5x1 MS-A2 103

Part no...:10.07.01.00321

External diameter D: 19.5 mm

Length L: 1 mm

Material: Brass / Stainless steel

Filter pore size: 103 µm



SSB 20-32 ST-VZ

Part no...:10.07.10.00003

Clamping range: 20.0 ... 32.0 mm

Material: Steel

Surface: galvanised

Spare parts

Contact Schmalz

Schmalz Sp.z.o.o. | ul. Fabianowska 131/A1, 62-052 Komorniki, Poland | +48 61 628 67 70 | schmalz@schmalz.pl

Bellows suction cups (round)

SPB2f 50 SI-55 G1/8-AG

Part no...:10.01.06.03652

<https://www.schmalz.com/10.01.06.03652>



SC 090 G1/8-AG

Part no...:10.01.06.03269

Connection geometry: 090

Vacuum connection: G1/8"-M

Length L1: 31 mm

Fitting length: 7.5 mm

Nominal diameter dn: 4 mm



SPB2f 50 SI-55 SC090

Part no...:10.01.06.03560

Size: 50

Suction cup material: Silicone SI

Material hardness [Shore A]: 55 Shore A

Material characteristics: FDA-compatible

Number of folds: 2.5