

Bellows suction cups (round)

SPB2f 40 SI-55 G1/8-AG

Part no.:10.01.06.03646

<https://www.schmalz.com/10.01.06.03646>

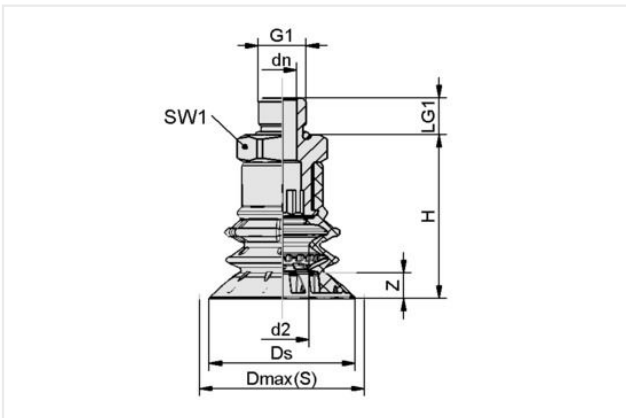
Home > Vacuum Technology for Automation > Vacuum Components > Vacuum Suction Cups > Suction Cups for the Packaging Industry > Bellows Suction Cups SPB2f (2.5 Folds) > SPB2f 40 SI-55 G1/8-AG

Bellows suction cup (round) for very uneven workpieces



Size: 40
Suction cup material: Silicone SI
Material hardness [Shore A]: 55 Shore A
Thread G1: G1/8"-M
Number of folds: 2.5

Design Data



Attribute	Value
d2	15.30 mm
dn	4 mm
Dmax(S)	42 mm
Ds	39.70 mm
G1	G1/8"-M
H	44.50 mm
LG1	7.50 mm
SW1	22 mm
Z (Stroke)	7 mm

Technical Data

Attribute	Value
Suction force at -200 mbar	6.80 N
Suction force at -400 mbar	13.60 N
Suction force (-600mbar)	20.40 N
Volume	12.89 cm ³
Hose diameter (empf.) d	9 mm
Size	40
Number of folds	2.50
Suction cup material	Silicone SI

Contact Schmalz

Schmalz Sp.z.o.o. | ul. Fabianowska 131/A1, 62-052 Komorniki, Poland | +48 61 628 67 70 | schmalz@schmalz.pl

Bellows suction cups (round)

SPB2f 40 SI-55 G1/8-AG

Part no.:10.01.06.03646

<https://www.schmalz.com/10.01.06.03646>

Material hardness [Shore A]	55 Shore A
Weight	25.70 g
Product family	SPB2f

Accessories



SIEB 17x0.8 MS-A2 103 0.103/0.07

Part no.:10.07.01.00320

External diameter D: 17 mm

Length L: 0.8 mm

Material: Brass / Stainless steel

Filter pore size: 103 µm



SSB 16-27 ST-VZ

Part no.:10.07.10.00002

Clamping range: 16.0 ... 27.0 mm

Material: Steel

Surface: galvanised

Spare parts

Contact Schmalz

Schmalz Sp.z.o.o. | ul. Fabianowska 131/A1, 62-052 Komorniki, Poland | +48 61 628 67 70 | schmalz@schmalz.pl

Bellows suction cups (round)

SPB2f 40 SI-55 G1/8-AG

Part no...:10.01.06.03646

<https://www.schmalz.com/10.01.06.03646>



SC 080 G1/8-AG

Part no...:10.01.06.03142

Connection geometry: 080

Vacuum connection: G1/8"-M

Length L1: 28 mm

Fitting length: 7.5 mm

Nominal diameter dn: 4 mm



SPB2f 40 SI-55 SC080

Part no...:10.01.06.03559

Size: 40

Suction cup material: Silicone SI

Material hardness [Shore A]: 55 Shore A

Material characteristics: FDA-compatible

Number of folds: 2.5