

Bellows suction cup HT1 (round)

SAB 80 HT1-60 G1/2-IG

Part no...:10.01.06.03632

<https://www.schmalz.com/10.01.06.03632>

Home > Vacuum Technology for Automation > Vacuum Components > Vacuum Suction Cups > Suction Cups for Handling Glass > Bellows Suction Cups SAB HT1 (1.5 Folds) > SAB 80 HT1-60 G1/2-IG

Bellows suction cup (round) for markless handling of workpieces



Size: 80

Suction cup material: High temp material HT1

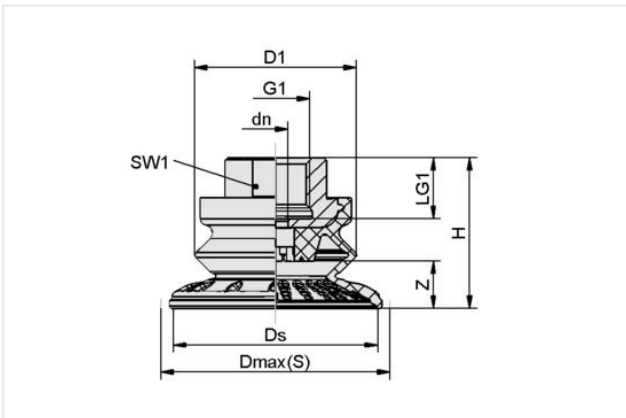
Material hardness [Shore A]: 60 Shore A

Nipple material: Aluminum

Connection: G1/2-IG

Number of folds: 1.5

Design Data



Attribute	Value
dn	6 mm
D1	63.60 mm
Dmax(S)	89 mm
Ds	81.10 mm
G1	G1/2"-F
H	49.90 mm
LG1	15 mm
SW1	24 mm
Z (Stroke)	22.10 mm

Technical Data

Attribute	Value
Suction force (-600mbar)	135 N
Pull-off force	221 N
Lateral force	145 N
Lateral force (oily surface)	140 N
Volume	56.50 cm ³
Curve radius (min) (convex)	75 mm
Hose diameter (empf.) d	6 mm
Size	80

Contact Schmalz

Schmalz Sp.z.o.o. | ul. Fabianowska 131/A1, 62-052 Komorniki, Poland | +48 61 628 67 70 | schmalz@schmalz.pl



Bellows suction cup HT1 (round)

SAB 80 HT1-60 G1/2-IG

Part no...:10.01.06.03632

<https://www.schmalz.com/10.01.06.03632>

Number of folds	1.50
Suction cup material	High temp material HT1
Material hardness [Shore A]	60 Shore A
Weight	57.80 g
Product family	SAB

Contact Schmalz

Schmalz Sp.z.o.o. | ul. Fabianowska 131/A1, 62-052 Komorniki, Poland | +48 61 628 67 70 | schmalz@schmalz.pl