

## Bellows suction cup (oval)

SPOB1f 80x35 SI-55 SC050-AR

Part no...:10.01.06.03627

<https://www.schmalz.com/10.01.06.03627>

Home > Vacuum Technology for Automation > Vacuum Components > Vacuum Suction Cups > Suction Cups for the Packaging Industry > SPOB1f 80x35 SI-55 SC050-AR

### Bellows suction cup (oval) with 1.5 corrug.for dynamic handling of cardboard and rigid packaging



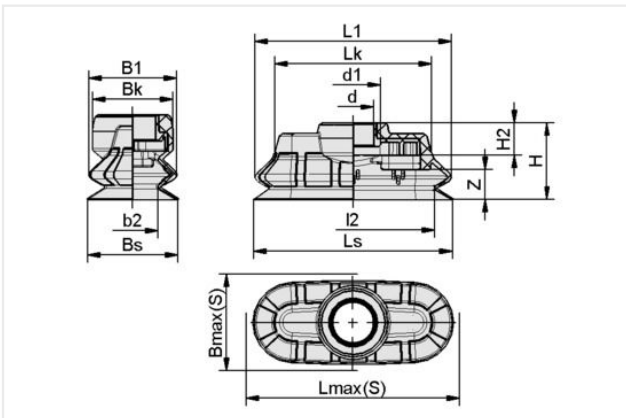
Dimensions (LxB): 80 x 35

Suction cup material: Silicone SI

Material hardness [Shore A]: 55 Shore A

Number of folds: 1.5

### Design Data



Attribute	Value
b2	21 mm
B1	35 mm
Bk	24 mm
Bmax(S)	38 mm
Bs	34.50 mm
d	12.40 mm
d1	17.30 mm
H	27 mm
H2	6.90 mm
l2	66 mm
L1	80 mm
Lk	61.10 mm
Lmax(S)	83 mm
Ls	79.50 mm
Z (Stroke)	11 mm

### Technical Data

Attribute	Value
Suction force at -200 mbar	24.90 N
Suction force at -400 mbar	49.80 N

### Contact Schmalz

Schmalz Sp.z.o.o. | ul. Fabianowska 131/A1, 62-052 Komorniki, Poland | +48 61 628 67 70 | [schmalz@schmalz.pl](mailto:schmalz@schmalz.pl)

## Bellows suction cup (oval)

SPOB1f 80x35 SI-55 SC050-AR

Part no...:10.01.06.03627

<https://www.schmalz.com/10.01.06.03627>

Suction force (-600mbar)	74.70 N
Volume	26.12 cm <sup>3</sup>
Workpiece width (min)	30 mm
Hose diameter (empf.) d	8 mm
Nipple family	SC 050-AR
Dimensions (LxB)	80 x 35
Number of folds	1.50
Suction cup material	Silicone SI
Material hardness [Shore A]	55 Shore A
Weight	12.60 g
Product family	SPOB1f

### Accessories



#### SC 050-AR NPT1/4-AG MOD

Part no...:10.01.06.02543

Connection geometry: 050-AR

Connection: NPT1/4-M

Length L1: 29 mm

Fitting length: 7.5 mm

Nominal diameter dn: 6.1 mm



#### SC 050-AR NPT1/4-IG MOD

Part no...:10.01.06.02546

Connection geometry: 050-AR

Connection: NPT1/4-F

Length L1: 28.5 mm

Fitting length: 19.2 mm

Nominal diameter dn: 6.1 mm