

Bellows suction cup (oval)

SPOB1f 60x25 SI-55 SC050-AR

Part no...:10.01.06.03626

<https://www.schmalz.com/10.01.06.03626>

Home > Vacuum Technology for Automation > Vacuum Components > Vacuum Suction Cups > Suction Cups for the Packaging Industry > SPOB1f 60x25 SI-55 SC050-AR

Bellows suction cup (oval) with 1.5 corrug.for dynamic handling of cardboard and rigid packaging



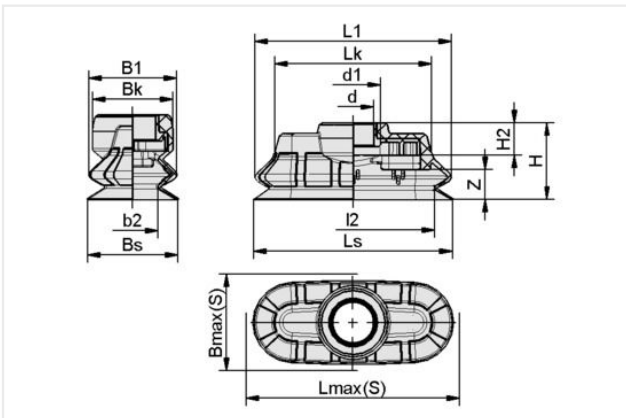
Dimensions (LxB): 60 x 25

Suction cup material: Silicone SI

Material hardness [Shore A]: 55 Shore A

Number of folds: 1.5

Design Data



Attribute	Value
b2	13.80 mm
B1	25 mm
Bk	22 mm
Bmax(S)	27 mm
Bs	24.50 mm
d	12.40 mm
d1	17.30 mm
H	23 mm
H2	6.90 mm
l2	48.80 mm
L1	60 mm
Lk	46.90 mm
Lmax(S)	62 mm
Ls	59.50 mm
Z (Stroke)	9 mm

Technical Data

Attribute	Value
Suction force at -200 mbar	12.20 N
Suction force at -400 mbar	24.40 N

Contact Schmalz

Schmalz Sp.z.o.o. | ul. Fabianowska 131/A1, 62-052 Komorniki, Poland | +48 61 628 67 70 | schmalz@schmalz.pl

Bellows suction cup (oval)

SPOB1f 60x25 SI-55 SC050-AR

Part no...:10.01.06.03626

<https://www.schmalz.com/10.01.06.03626>

Suction force (-600mbar)	36.60 N
Volume	11.54 cm ³
Workpiece width (min)	20 mm
Hose diameter (empf.) d	8 mm
Nipple family	SC 050-AR
Dimensions (LxB)	60 x 25
Number of folds	1.50
Suction cup material	Silicone SI
Material hardness [Shore A]	55 Shore A
Weight	6.70 g
Product family	SPOB1f

Accessories



SC 050-AR NPT1/4-AG MOD

Part no...:10.01.06.02543

Connection geometry: 050-AR

Connection: NPT1/4-M

Length L1: 29 mm

Fitting length: 7.5 mm

Nominal diameter dn: 6.1 mm



SC 050-AR NPT1/4-IG MOD

Part no...:10.01.06.02546

Connection geometry: 050-AR

Connection: NPT1/4-F

Length L1: 28.5 mm

Fitting length: 19.2 mm

Nominal diameter dn: 6.1 mm