

Bellows suction cup (oval)

SPOB1f 35x15 SI-55 SC040-AR

Part no...:10.01.06.03625

<https://www.schmalz.com/10.01.06.03625>

Home > Vacuum Technology for Automation > Vacuum Components > Vacuum Suction Cups > Suction Cups for the Packaging Industry > SPOB1f 35x15 SI-55 SC040-AR

Bellows suction cup (oval) with 1.5 corrug.for dynamic handling of cardboard and rigid packaging



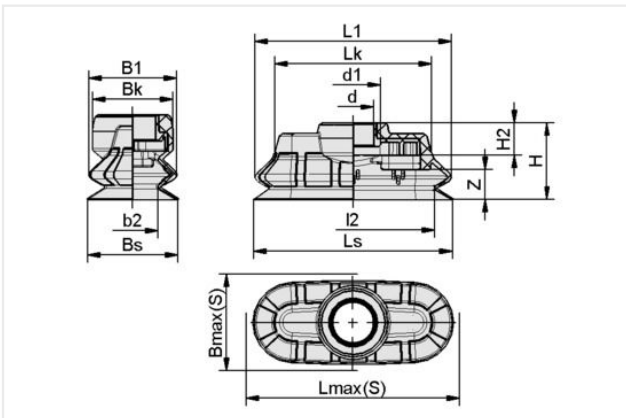
Dimensions (LxB): 35 x 15

Suction cup material: Silicone SI

Material hardness [Shore A]: 55 Shore A

Number of folds: 1.5

Design Data



Attribute	Value
b2	8 mm
B1	15 mm
Bk	14 mm
Bmax(S)	17 mm
Bs	14.60 mm
d	8.30 mm
d1	11 mm
H	13 mm
H2	5 mm
l2	28 mm
L1	35 mm
Lk	28.50 mm
Lmax(S)	37 mm
Ls	34.60 mm
Z (Stroke)	4 mm

Technical Data

Attribute	Value
Suction force at -200 mbar	4.20 N
Suction force at -400 mbar	8.40 N

Contact Schmalz

Schmalz Sp.z.o.o. | ul. Fabianowska 131/A1, 62-052 Komorniki, Poland | +48 61 628 67 70 | schmalz@schmalz.pl

Bellows suction cup (oval)

SPOB1f 35x15 SI-55 SC040-AR

Part no...:10.01.06.03625

<https://www.schmalz.com/10.01.06.03625>

Suction force (-600mbar)	12.60 N
Volume	2.14 cm ³
Workpiece width (min)	10 mm
Hose diameter (empf.) d	6 mm
Nipple family	SC 040-AR
Dimensions (LxB)	35 x 15
Number of folds	1.50
Suction cup material	Silicone SI
Material hardness [Shore A]	55 Shore A
Weight	1.70 g
Product family	SPOB1f

Accessories



SC 040-AR NPT1/8-AG MOD

Part no...:10.01.06.02581

Connection geometry: 040-AR

Connection: NPT1/8-M

Length L1: 19.5 mm

Fitting length: 6 mm

Nominal diameter dn: 3.6 mm