

Bellows suction cup (round)

SPB2f 40 SI-55 SC080

Part no...:10.01.06.03559

<https://www.schmalz.com/10.01.06.03559>

Home > Vacuum Technology for Automation > Vacuum Components > Vacuum Suction Cups > Suction Cups for the Packaging Industry > SPB2f 40 SI-55 SC080

Bellows suction cup (round) for very uneven workpieces



Size: 40

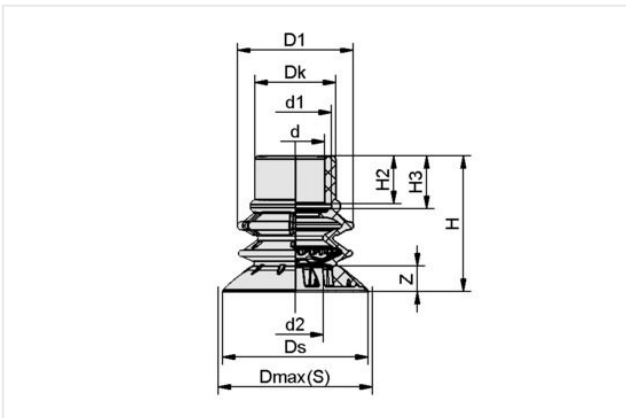
Suction cup material: Silicone SI

Material hardness [Shore A]: 55 Shore A

Material characteristics: FDA-compatible

Number of folds: 2.5

Design Data



Attribute	Value
d	16 mm
d1	19.60 mm
d2	15.30 mm
D1	31.60 mm
Dk	24.40 mm
Dmax(S)	42 mm
Ds	39.70 mm
H	37 mm
H2	13 mm
H3	14.40 mm
Z (Stroke)	7 mm

Technical Data

Attribute	Value
Suction force at -200 mbar	6.80 N
Suction force at -400 mbar	13.60 N
Suction force (-600mbar)	20.40 N
Volume	12.89 cm ³
Hose diameter (empf.) d	9 mm
Size	40

Contact Schmalz

Schmalz Sp.z.o.o. | ul. Fabianowska 131/A1, 62-052 Komorniki, Poland | +48 61 628 67 70 | schmalz@schmalz.pl

Bellows suction cup (round)

SPB2f 40 SI-55 SC080

Part no.:10.01.06.03559

<https://www.schmalz.com/10.01.06.03559>

Nipple family	SC 080
Number of folds	2.50
Suction cup material	Silicone SI
Material hardness [Shore A]	55 Shore A
Weight	8.30 g
Product family	SPB2f

Accessories



SC 080 NPT1/4-AG

Part no.:10.01.06.03662

Connection geometry: 080

Vacuum connection: NPT1/4-M

Length L1: 32.2 mm

Fitting length: 7.5 mm

Nominal diameter dn: 8 mm



SC 080 NPT1/4-IG

Part no.:10.01.06.03663

Connection geometry: 080

Vacuum connection: NPT1/4-F

Length L1: 32 mm

Fitting length: 17.5 mm

Nominal diameter dn: 10.3 mm

Bellows suction cup (round)

SPB2f 40 SI-55 SC080

Part no...:10.01.06.03559

<https://www.schmalz.com/10.01.06.03559>



SC 080 NPT3/8-AG

Part no...:10.01.06.03664

Connection geometry: 080

Vacuum connection: NPT3/8-M

Length L1: 32.4 mm

Fitting length: 7.5 mm

Nominal diameter dn: 10.3 mm



SC 080 NPT3/8-IG

Part no...:10.01.06.03665

Connection geometry: 080

Vacuum connection: NPT3/8-F

Length L1: 32 mm

Fitting length: 17.5 mm

Nominal diameter dn: 10.3 mm



SIEB 17x0.8 MS-A2 103 0.103/0.07

Part no...:10.07.01.00320

External diameter D: 17 mm

Length L: 0.8 mm

Material: Brass / Stainless steel

Filter pore size: 103 µm